

不知不觉在您身边



SOLEARN
横 | 店 | 竖 | 人 | 文 | 化



2020

POWDER CORES

金属磁粉心系列产品

铁硅铝/Sendust

铁硅/FeSi

铁镍铝/MPP

铁镍/High-Flux

多元合金/Multi-Alloy

铁粉心/Iron Powder Core

横店集团东磁股份有限公司

HENGDIAN GROUP DMEGC MAGNETICS CO.,LTD

A Member Of Hengdian Group

DMEGC Headquarter:

Hengdian,Dongyang,Zhejiang,China 322118

Tel:0086-579-86588468,86555200

Fax:0086-579-86550621

Email:sample@dmegc.com.cn;sales@dmegc.com.cn

www.chinadmegc.com

A member of Hengdian Group
横店集团成员企业

横店集团东磁股份有限公司

HENGDIAN GROUP DMEGC MAGNETICS CO.,LTD

东磁愿景

DMEGC Vision

独一无二、世界一流

World-class uniqueness

东磁使命

DMEGC Mission

东磁制造，世界领袖

World leader in manufacturing

东磁核心价值观

DMEGC Core Value

客户至上、关爱员工

Customer first, Caring staff

团结、求实、坚韧、创新

Unity, Truth-seeking, Tenacity, Innovation

DMEGC INTRODUCTION

企业概况

横店集团东磁股份有限公司是一家集生产、经营、科研、技术开发为一体的国家大型一档上市企业，是全国磁性行业龙头企业，也是全国磁性行业第一家通过ISO14001和ISO/TS16949认证的企业。

东磁公司软磁事业部是东磁股份有限公司下属的专门从事软磁系列产品的研究、开发和生产的事业部。下辖15家生产分厂，拥有国家级博士后工作站、浙江省磁性产品质量检测中心。主要生产各种锰锌铁氧体、镍锌铁氧体、金属磁粉心等万余种不同规格的产品，广泛应用于消费类电子、计算机、网络通信、汽车电子、绿色照明、工业控制、新能源等领域中的变压器、电感器等器件中。年产量达4万多吨，是目前全球生产规模最大、品种最全的软磁产品生产基地。

软磁事业部积数十年拼搏之经验，广采全球同行之精髓，通过多方面的合作与交流，不断更新生产工艺，提高产品质量，努力为顾客提供一流的产品和服务。

“永无止境追求质量完美，一丝不苟满足顾客需求”是东磁人坚持不懈的努力目标和行动指南，我们愿与国内外各界朋友一道携手，共创美好明天。

Hengdian Group DMEGC Magnetics Co., Ltd. is a large-scale national listed enterprise integrating production, operation, scientific research and technology development. It is the leading enterprise in the national magnetic industry and the first enterprise in the national magnetic industry that has passed ISO14001 and ISO/TS16949 certification.

The soft magnetic business division of DMEGC is a business division specialized in the research, development and production of soft magnetic products. The soft magnetic business division manages 15 production factories, and has a national postdoctoral workstation and a magnetic product quality testing center of Zhejiang province. The main products are various of MnZn ferrites, NiZn ferrites, Alloy powder cores and others which have more than 100000 different specifications, and they are widely used in the transformer, inductor and other devices of consumer electronics, computers, network communications, automotive electronics, green lighting, industrial control, new energy and other fields. The annual output is more than 40,000 tons, and the business division is the largest production scale of the world, the most complete variety of soft magnetic products production base.

With years of hard work experience, soft magnetic business division has been striving to provide customers with first-class products and services by drawing on the best of the global peers, constantly updating production technology and improving product quality through cooperation and exchanges in various aspects.

"Neverending pursuit of perfect quality, meticulously to meet customer demand" is the goal and action guide which the DMEGC people adhere to, we are willing to work with friends from all walks of life at home and abroad to create a better tomorrow.

SOLEARN
横 | 店 | 坚 | 人 | 文 | 化



目录 / Content

基本资料 Basic information

材料简介 Introduction of materials	2
磁心命名规则 Naming rules for cores	4

磁心选型 Cores selection

基础术语、定义与计算公式 Basic terms, definitions and calculation formulas	8
磁心选型实例 Examples of cores selection	10

材料特性与曲线 Material characteristics & curves

材料性能简介 Material characteristics	12
材料性能对比曲线 Comparison curves of material characteristics	13
直流偏置曲线 DC-Bias curves	14
损耗曲线 Power loss curves	21

磁心规格与参数 Cores Types & parameter

环形磁心 Ring cores	33
异形磁心 Special-shaped cores	71
异形磁心形状对应材料可行性参考表 Reference table for material feasibility of Special-shaped cores	75
东磁磁粉心同行规格对比表 DMEGC powder cores reference table	76

铁粉心系列产品介绍 Iron Powder Core series Introduction

材料特性表及曲线 Material characteristics & curve	81
铁粉心产品尺寸目录 Iron Powder Core Product Size Catalog	89

材料简介 Introduction of materials

铁硅铝 (Sendust) ——DS

合金粉末内含85%的铁，9%的硅和6%的铝，磁心内有均匀分布的气隙，有良好的直流叠加特性，饱和磁通密度可达10000Gauss，在高频下具有低损耗特性。磁致伸缩系数接近零，可广泛应用于在线噪声滤波器、开关电源中的电感器、太阳能逆变器等领域，相对于铁粉心，铁硅铝拥有更高的效率。

The alloy powder contains 85% Fe, 9% Si and 6% Al. The core has evenly distributed air gap, good DC bias, saturated flux density up to 10000 Gauss, low loss characteristics at high frequency. Magnetostrictive coefficient is close to zero, which can be widely used in online noise filter, inductor in switch power supply, solar inverter and other fields. Compared with Iron powder core, the FeSiAl core has higher efficiency.

多元合金 (Multi-Alloy) ——DSH/DNH/DSG

是铁硅材料的升级版，相比sendust，多元合金有更好的直流偏置能力和更低的损耗，因此非常适用于一些要求高效能的应用领域，例如服务器、汽车部件和太阳能部件。它们可以成为非晶磁心的良好替代品，并且表现出优异的热性能。

DSH——比铁硅铝更低的损耗，更优的直流偏置能力

DNH——接近于铁硅的直流偏置特性，兼具铁硅铝的低损耗特性

DSG——优异的高频特性，超低的损耗，且直流偏置能力优于铁硅铝

It is an upgraded version of the FeSi material, which has better DC bias and lower loss than sendust, making it ideal for applications that require high efficiency, such as servers, automotive parts and solar components. They can be a good substitute for amorphous cores, and exhibit excellent thermal properties.

DSH—Lower loss and better DC bias capability than FeSiAl.

DNH—DC bias is close to FeSi, and the loss is close to FeSiAl.

DSG—Excellent high frequency characteristics, ultralow loss, and DC bias is better than FeSiAl.

材料简介 Introduction of materials

铁硅 (Ma-Flux) ——DFG

分布式气隙磁粉心，由含硅6.5%的铁粉制成。损耗比铁粉心低，具有极佳的直流偏置能力，其饱和磁通密度可达15000Gauss以上，适用于各种大电流的应用环境，例如UPS电源、太阳能逆变器等，另外在一定的条件下，铁硅是可以取代High Flux磁心的一种经济型选择。

The distributed air gap magnetic powder core is made of Iron powder containing silicon 6.5%. Its loss is lower than that of iron powder core, and it has excellent dc bias, and its saturation Flux density can reach over 15000 Gauss. It is suitable for all kinds of highcurrent application environments, such as UPS power supply, solar inverter, etc. In addition, under certain conditions, The FeSi core is an economical choice that can replace High Flux core.

铁镍 (High Flux) ——DH

合金粉末内含50%镍和50%铁，在所有磁粉心中，High Flux具有最佳的直流偏置能力，其饱和磁通密度可达15000Gauss，相对于铁粉心，High Flux磁粉心的损耗更低，直流偏置能力更高；相对于偏置能力同样优秀的铁硅磁粉心，High Flux磁粉心的损耗更低。该材质可广泛应用于高Q滤波器、谐振电感、精密电路等领域。

The alloy powder contains 50% Ni and 50% Fe. In all magnetic powder cores, High Flux has the best DC bias and its saturated Flux density can reach 15000 Gauss. Compared with Iron powder core, High Flux core has lower loss and higher DC bias. Compared with the FeSi core which also has excellent DC bias, the loss of High Flux core is lower. The material can be widely used in high Q filter, resonant inductance, precision circuit and other fields.

铁镍钼 (MPP) ——DM

合金粉末内含81%的镍，17%的铁及2%的钼，饱和磁通密度可达7000Gauss以上。MPP具有高磁阻，低损耗、较高的储能能力，良好的温度稳定性等特点，应用于高Q滤波器、高温电感器和滤波器、单端反激变压器等领域。

The alloy powder contains 81% Ni, 17% Fe and 2% Mo, and the saturation flux density can reach over 7000 Gauss. MPP has the characteristics of high reluctance, low loss, high energy storage capacity, good temperature stability and so on. It is applied in the fields of high Q filter, high temperature inductor and filter, single end flyback transformer and so on.

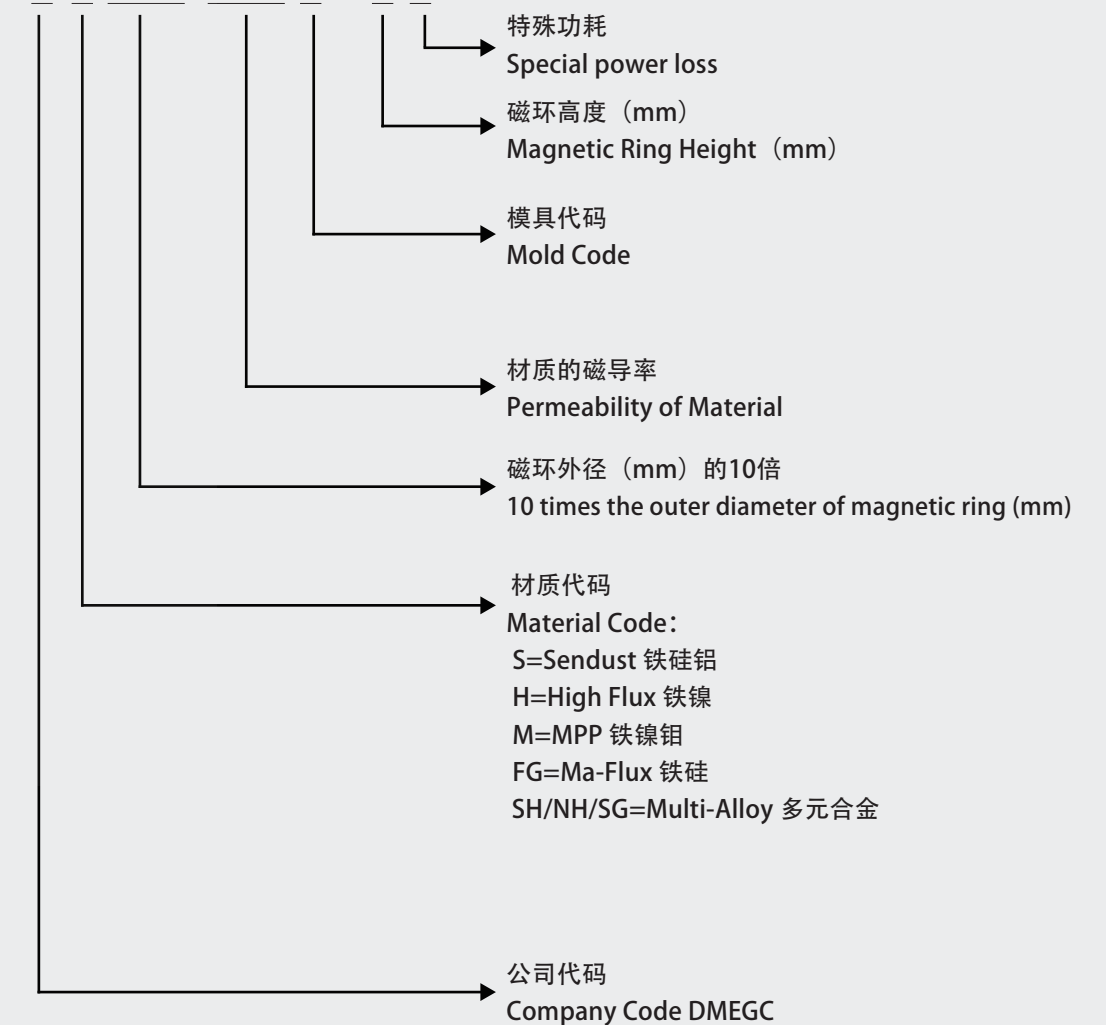
磁心命名规则 Naming rules of cores

DMEGC生产的磁粉心有其特有的型号，该型号包含了该磁粉心的重要特性信息。对磁心的命名规则做如下说明：

Magnetic powder cores produced by DMEGC have unique models of themselves, the model contains important characteristic information of the magnetic powder core. The naming rules for cores are described as follows:

环型 Ring cores

DS270060A/11T



磁心命名规则 Naming rules of cores

东磁生产的磁粉心环形产品均会涂覆一层防腐防潮防氧化的涂层，涂层材质可以是多样的，常规是环氧树脂涂层，也可以提供聚对二甲苯涂层。

本目录中涉及的涂层尺寸均为环氧树脂涂层，单边的涂层厚度一般0.15~0.3mm。

环氧树脂涂层的最大稳态运行温度为130° C。

Sendust、MPP、High Flux、Ma-FLux和Multi-Alloy磁粉心均可在200°C下持续工作（不包括涂层），且不会出现老化现象。

Ring products of magnetic powder core produced by DMEGC will be coated with a layer of anti-corrosion, moisture-proof and anti-oxidation coating. Coating materials can be diverse. The general is epoxy resin coating, and can also provide poly p-xylene coating.

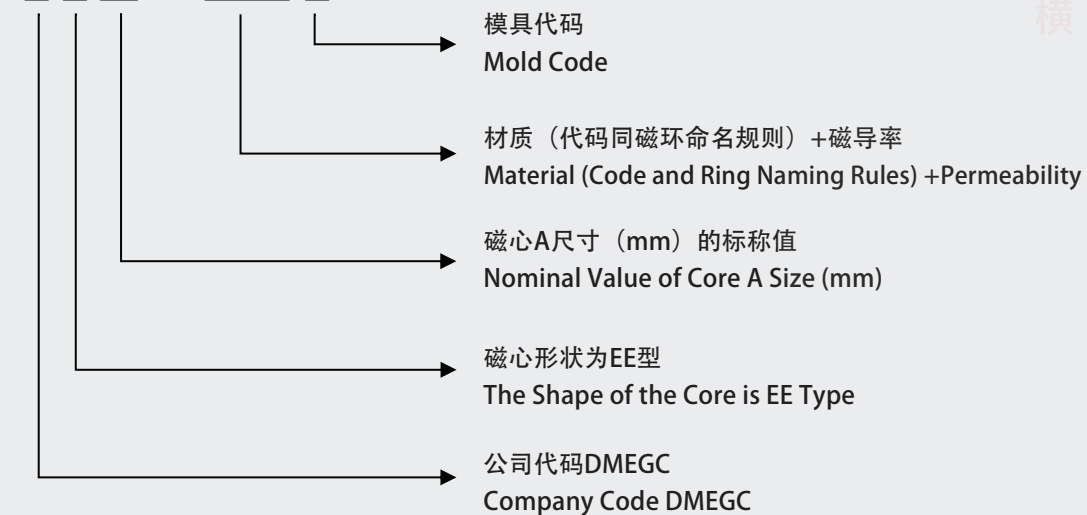
The coating sizes involved in this catalog are all epoxy resin coatings, and the one-side coating thickness is generally 0.15~0.3mm.

The maximum stable operating temperature of epoxy resin coating is 130°C.

All of Sendust, MPP, High Flux, Ma-FLux and Multi-Alloy magnetic cores can work continuously at 200°C (excluding coating) without aging.

E型 E Type

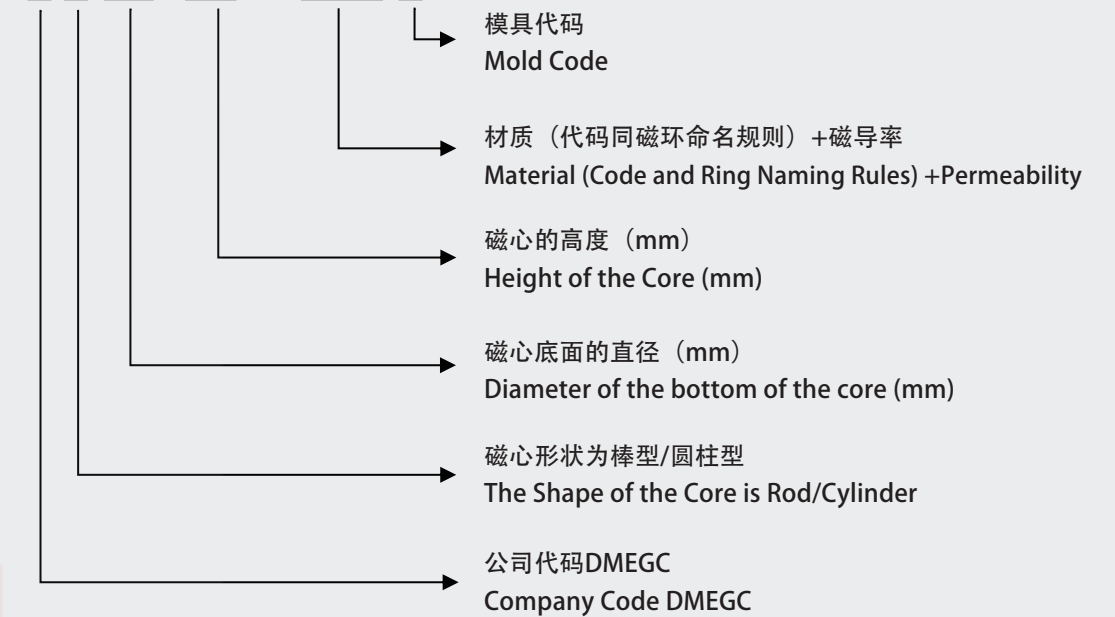
D E 80 - S060 A



磁心命名规则 Naming rules of cores

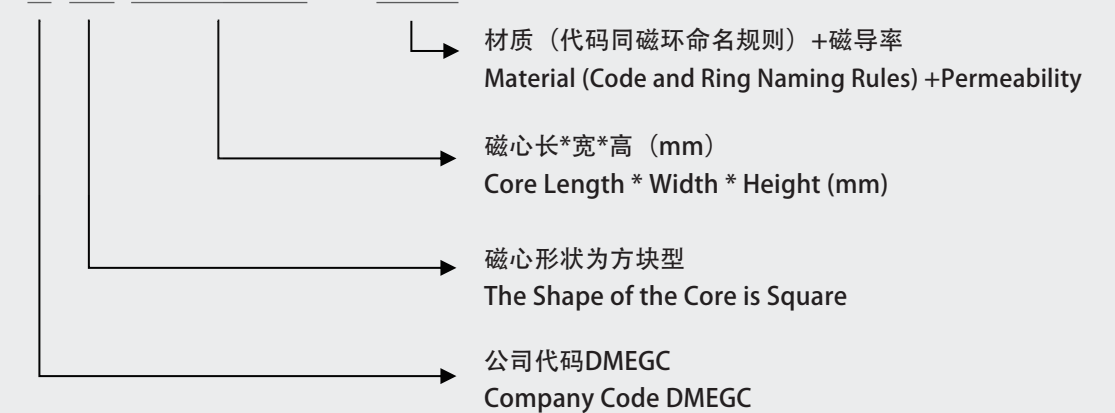
棒型/圆柱型 Rod/Cylinder

D P 5.2×7.3 - S060 A



方块型 Block Type

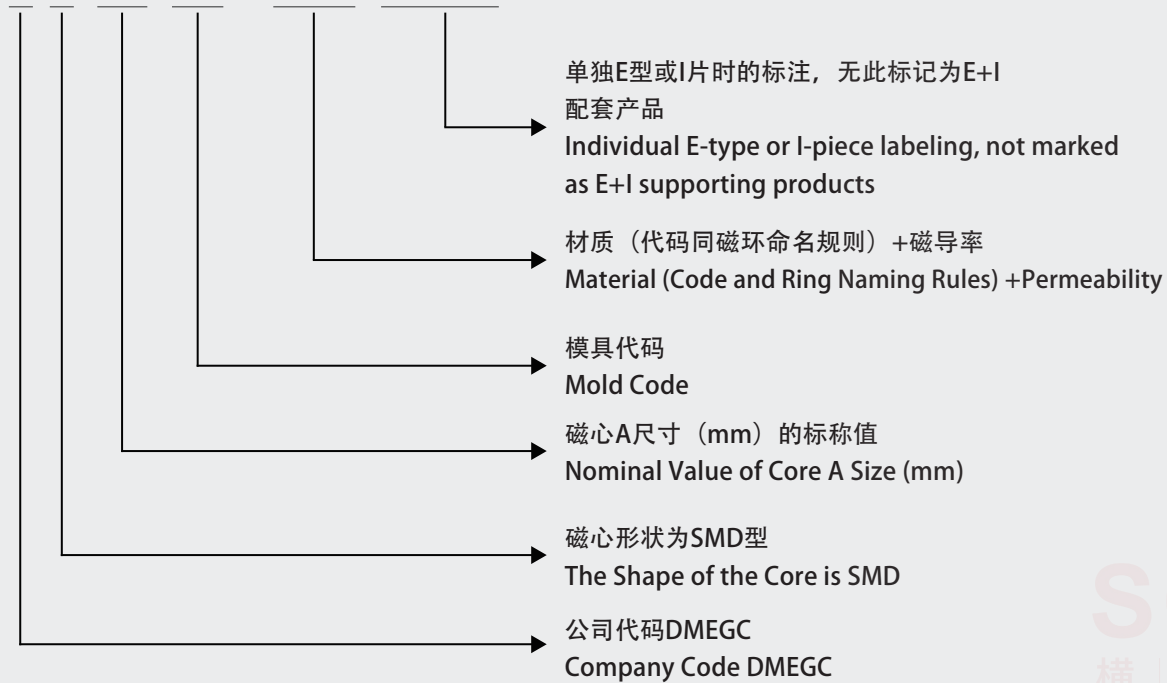
D FK 60×30×15 - S060



磁心命名规则 Naming rules of cores

SMD型 SMD Type

D Q 12.7 AC- S060 (-E 或 -I)



SMD型的磁心结构有很多, 根据结构不同, 在命名上会有些许区别, 如DQC、DQY等。

There are many core structures of SMD type. Depending on the structure, there will be some differences in naming, such as DQC, DQY, etc.

基础术语、定义与计算公式 Basic terms, definitions and calculation formulas

初始磁导率 / Initial permeability

初始磁导率是B/H的极限值, 在这里H值 (铁磁物质的初始磁化曲线中) 无限趋近于0, 公式表述如下:

The initial permeability is the limit value of B/H, where the H value (in the initial magnetization curve of ferromagnetic material) approaches infinitely to 0, The formula is as follows:

$$\mu_i = \lim_{H \rightarrow 0} \frac{B}{\mu_0 H}$$

μ_i : 初始磁导率 / Initial permeability
 μ_0 : 真空磁导率 $\mu_0 = 4\pi \times 10^{-7}$ / permeability of vacuum
 B: 交流磁场强度 (A/m) / Flux Density
 H: 磁通密度 (T) / Magnetic Field Strength

注: 磁性材料的初始磁导率用一只绕着导线的磁环磁心来测定, 公式表述如下:

Note: The initial permeability of magnetic materials is measured by a magnetic ring core with a coil. The formula is as follows:

$$\mu_i = \frac{(L - L_0) \cdot l_e \cdot 10^9}{0.4\pi \cdot N^2 \cdot A_e}$$

L: 带磁心的线圈电感 (H) / Coil inductance with core
 L₀: 不带磁心的线圈电感 / Coil inductance without core
 N: 线圈匝数 (Ts) / Number of turns
 A_e: 磁心有效截面积 (cm²) / Effective Across Section Area
 l_e: 磁心有效磁路长度 (cm) / Effective Magnetic Path Length

电感系数 (AL) / Inductance factor

线圈的电感量L与线圈匝数N的平方之比, 称为磁心的电感系数。与磁心的形状、尺寸、磁导率、线圈绕法及线圈与磁心的相对位置等因素有关。即:

The ratio of inductance L of coil to the square of turns N of coil is called inductance coefficient of core. It is related to the shape, size, permeability, coil winding method and the relative position of coil and core. Namely:

$$AL = \frac{L}{N^2}$$

AL: 电感系数 (nH/N²) / Inductance Factor
 L: 电感 (nH) / Inductance
 N: 匝数 (Ts) / Number of turns

基础术语、定义与计算公式 Basic terms, definitions and calculation formulas

磁场强度 / Magnetic Field Strength

安培定律给出了磁场强度与电流、线圈匝数及磁路长度之间的关系。
Ampere's law gives the relationship between magnetic field strength and current, number of coil turns and length of magnetic circuit.

$$H = \frac{0.4\pi \cdot N \cdot I}{le}$$

H: 磁场强度 (Oe) / Magnetic Field Strength
N: 匝数 (Ts) / Number of turns
I: 电流 (A) / Current
le: 有效磁路长度 (cm) / Effective Magnetic Path Length

磁通密度峰值 / Peak AC flux density

$$B_{max} = \frac{E_{rms} \cdot 10^8}{4.44 f \cdot A_e \cdot N}$$

B: 磁场密度峰值 (Gauss) / Peak AC flux density
f: 频率 (Hz) / Frequency
A_e: 有效截面积 (cm²) / Effective Across Section Area
E_{rms}: 均方根电压值 (V) / RMS voltage

磁心选型示例 Examples of cores selection

为电感器选择磁心时, 可根据下列条件, 确定应选磁环及绕制的线圈匝数。
条件如下:

When selecting the core for the inductor, the selected magnetic ring and the winding turns can be determined according to the following conditions

The conditions are as follows:

直流电流 Direct Current IDC=8 (A)

直流偏置电感 DC bias inductor LDC=17.5 μH

计算过程如下:

The calculation process is as follows:

1) 公式转换 Formula conversion

$$H = \frac{0.4\pi \cdot N \cdot I}{le} \rightarrow NI = \frac{H \cdot le}{0.4\pi}$$

2) 初步确定磁场强度 Preliminary determination of magnetic field strength

在电流 8A 下, 电感量下降后不小于 50%。从磁场强度与初始磁导率变化曲线图上可以得到, 磁导率下降 50% 时对应的磁场强度 H=35 (Oe)。

At a current of 8 A, the inductance is not less than 50% after the drop. From the curve of magnetic field strength vs initial permeability, it can be obtained that the corresponding magnetic field strength H=35 (Oe) when the magnetic permeability decreases by 50%.

3) 初步选择磁心 DS229125 Preliminary selection of magnetic core DS229125

DS229125 的有效磁路长度

The effective magnetic path length of DS229125 is le=5.67cm

4) 计算安匝数及匝数 Calculate the number of amps and turns

$$NI = \frac{H \cdot le}{0.4\pi} = \frac{35 \times 5.67}{0.4 \times 3.14} = 158$$

$$N = 158 \div 8 = 19.75 \approx 20 \text{ (Ts)}$$

磁心选型示例

Examples of cores selection

5) 核算LDC@8A是否满足要求 Check whether LDC@8A meets the requirements

$$L_{0A} = AL \times N^2 = 90 \times 20^2 = 36 (\mu H)$$

$$I = 8A \text{ 时, 电感量下降为 } 50\%, L_{8A} = 36 \times 50\% = 18 (\mu H)$$

When $I = 8A$, the inductance decreases to 50%, $L_{8A} = 36 \times 50\% = 18 (\mu H)$

加上8A的电流后电感量基本上能够满足要求。

After adding 8A current, the inductance can basically meet the requirements.

在实际的使用中选用磁心时, 如果初次选定的磁心无法一次满足要求, 可以根据上述方法, 通过调整磁心尺寸及磁导率的方式来使初始电感及直流偏置电感满足要求。

When the magnetic core is selected in actual use, if the first selected magnetic core cannot meet the requirements at first time, the initial inductance and the DC bias inductance can be satisfied by adjusting the core size and magnetic permeability according to the above method.

材料性能简介

Material Characteristics profile

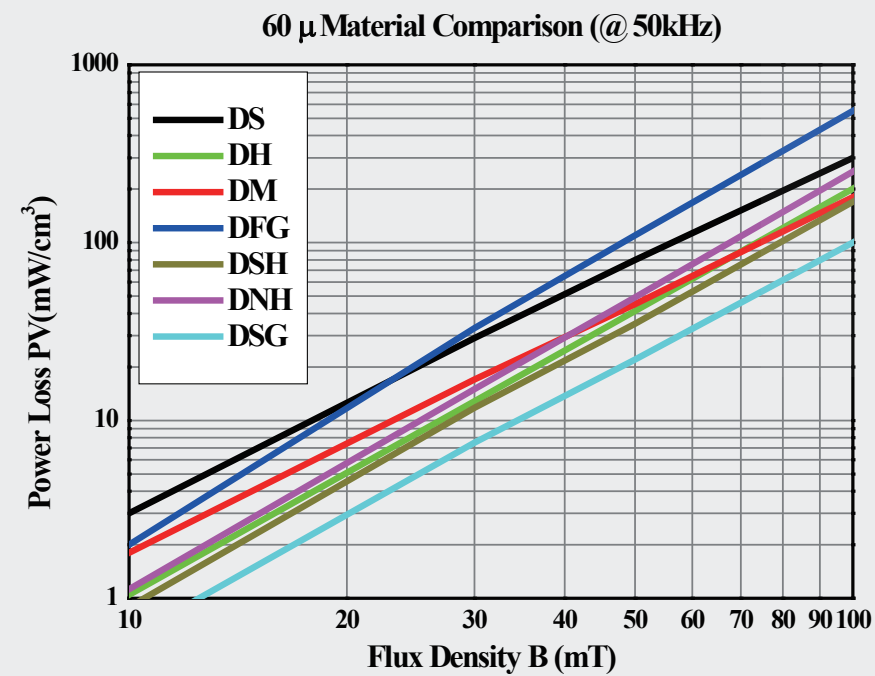
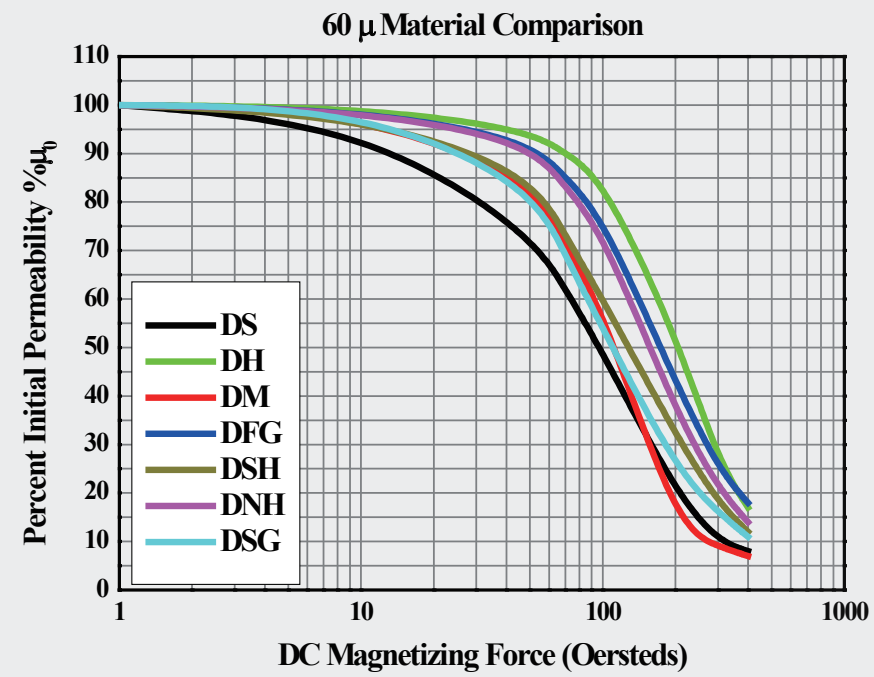
材料特性 Material Characteristics

Material System	Perm.	Power loss (mW/cm ³) @50kHz/100mT	DC-Bias (% μ_0) @100 Oe	Flux Density Bs (mT)	Tc
DS	60	280	48	1050	600 °C
DH	60	260	85	1600	500 °C
DNH	60	250	72	1100	600 °C
DSH	60	170	60	1200	600 °C
DSG	60	100	54	1100	500 °C
DFG	60	550	76	1500	700 °C
DM	60	180	58	750	400 °C

单位换算 Unit Conversion

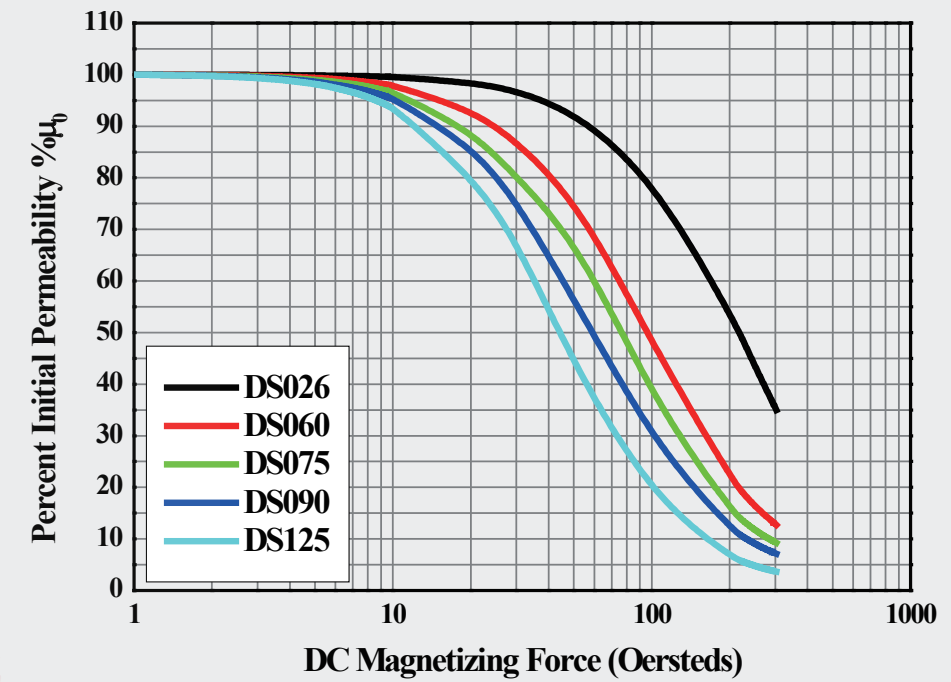
单位名称 Unit	符号简称 Symbol	换算举例 Conversion	
奥斯特 (Oersted)	Oe	1 Oe = 0.7958 A/cm	1 A/cm = 1.2566 Oe
特斯拉 (Tesla)	T	1 T = 1000 mT	1 mT = 0.001 T
高斯 (Gauss)	Gs	1 Gs = 0.1 mT	1 mT = 10 Gs
英寸 (Inch)	in	1 in = 25.4 mm	1 mm = 0.03937 in

材料性能对比曲线 Comparison curves of material properties



直流偏置曲线 DC bias curves

铁硅铝 DS 环型 Sendust Ring

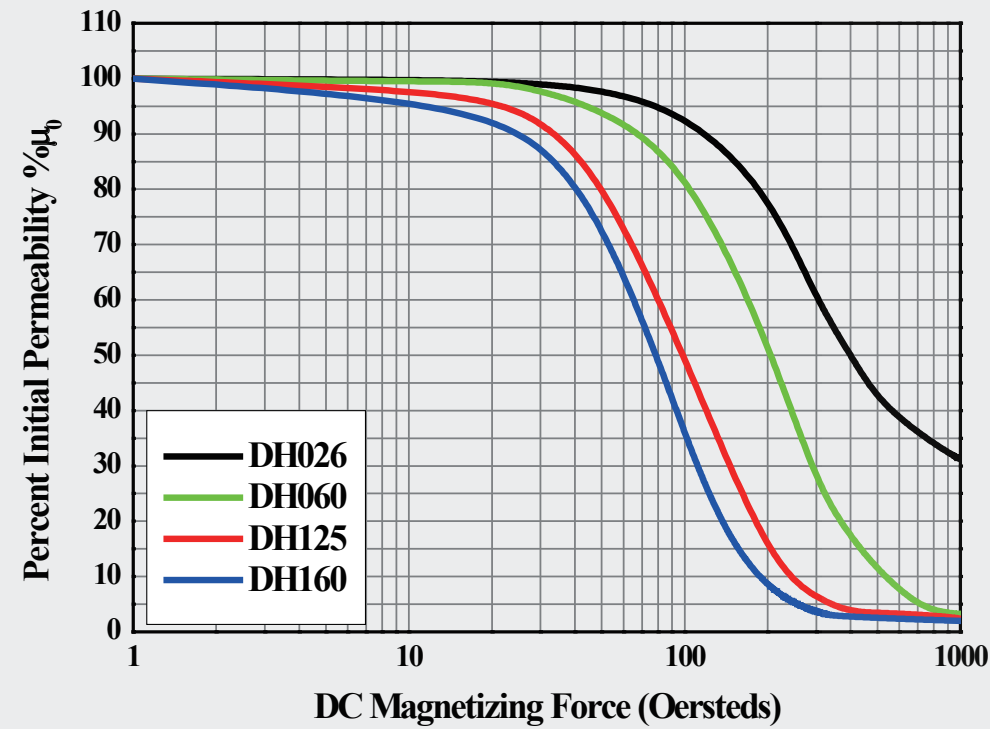


$$\%Perm = \frac{1}{a + b \cdot H^c}$$

Material	ui	a	b	c
DS	26	0.01	6.686E-07	1.789
	60	0.01	4.736E-06	1.694
	75	0.01	8.002E-06	1.692
	90	0.01	1.168E-05	1.656
	125	0.01	1.185E-05	1.786

直流偏置曲线 DC bias curves

铁镍 DH 环型 High Flux Ring

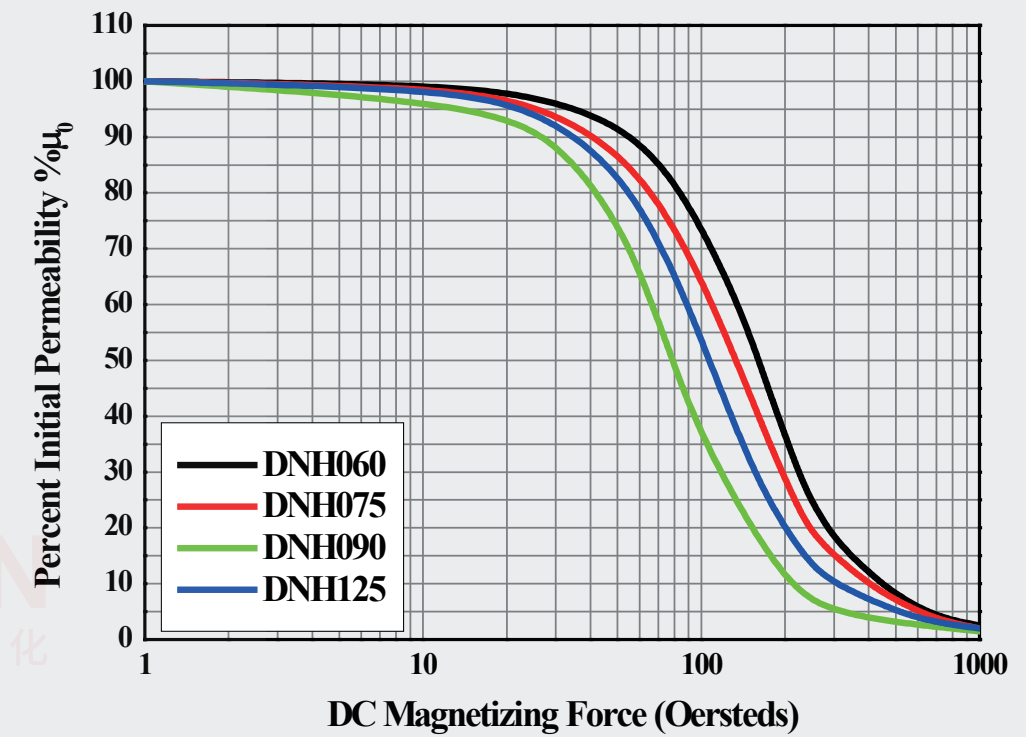


$$\%Perm = \frac{1}{a+b \cdot H^c}$$

Material	ui	a	b	c
DH	26	0.01	1.221E-06	1.464
	60	0.01	7.980E-08	2.215
	125	0.01	4.434E-07	2.189
	160	0.01	2.441E-07	2.442

直流偏置曲线 DC bias curves

多元合金 DNH 环型 Multi-Alloy DNH Ring

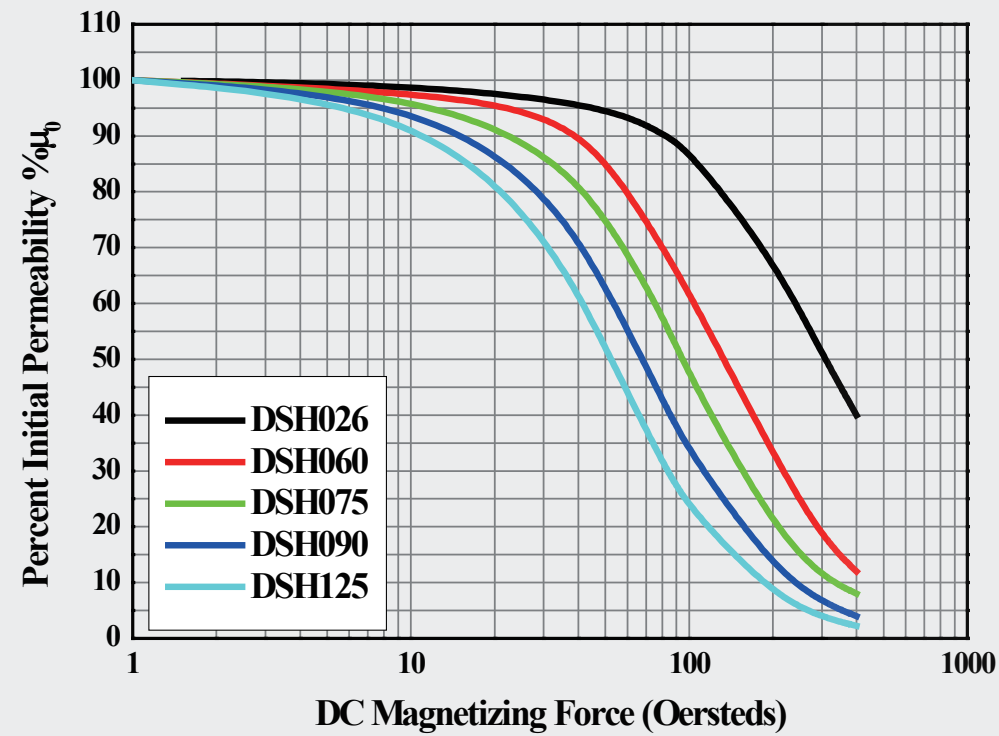


$$\%Perm = \frac{1}{a+b \cdot H^c}$$

Material	ui	a	b	c
DNH	60	0.01	1.27E-07	2.23
	75	0.01	3.27E-07	2.12
	90	0.01	3.39E-07	2.20
	125	0.01	3.06E-07	2.38

直流偏置曲线 DC bias curves

多元合金 DSH 环型 Multi-Alloy DSH Ring

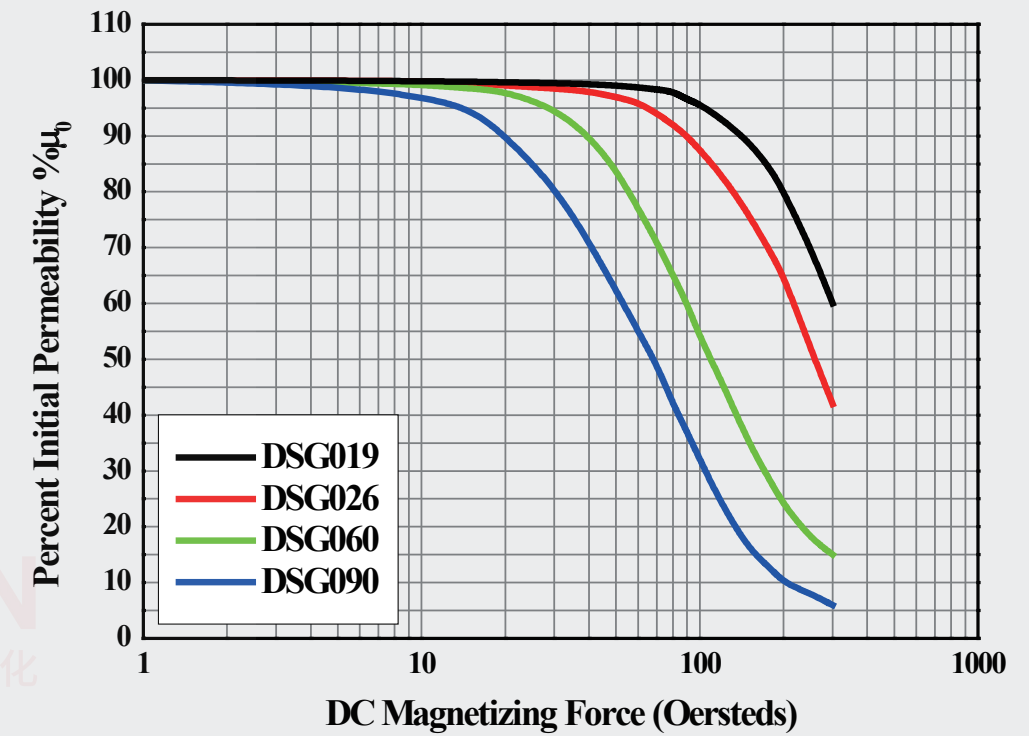


$$\%Perm = \frac{1}{a+b \cdot H^c}$$

Material	ui	a	b	c
DSH	26	0.01	6.013E-07	1.694
	60	0.01	1.747E-07	1.769
	75	0.01	3.604E-06	1.738
	90	0.01	7.631E-06	1.698
	125	0.01	1.079E-05	1.726

直流偏置曲线 DC bias curves

多元合金 DSG 环型 Multi-Alloy DSG Ring

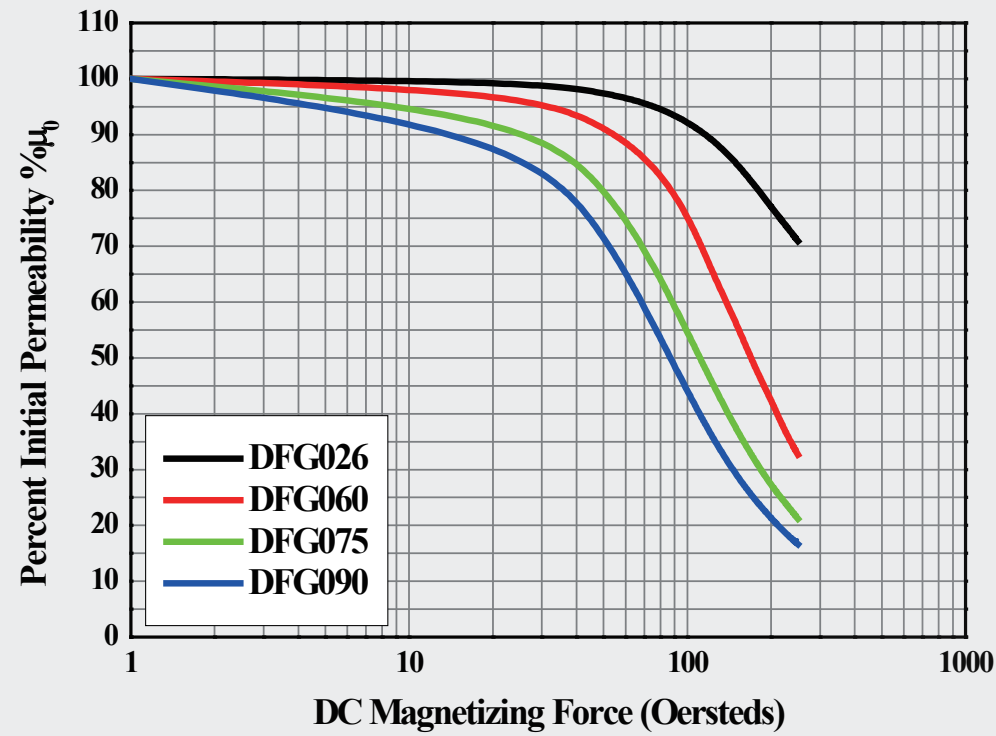


$$\%Perm = \frac{1}{a+b \cdot H^c}$$

Material	ui	a	b	c
DNH	19	0.01	5.40E-09	2.46
	26	0.01	8.07E-08	2.11
	60	0.01	1.06E-06	1.95
	90	0.01	2.32E-06	1.92

直流偏置曲线 DC bias curves

铁硅 DFG 环型 Ma-Flux Ring

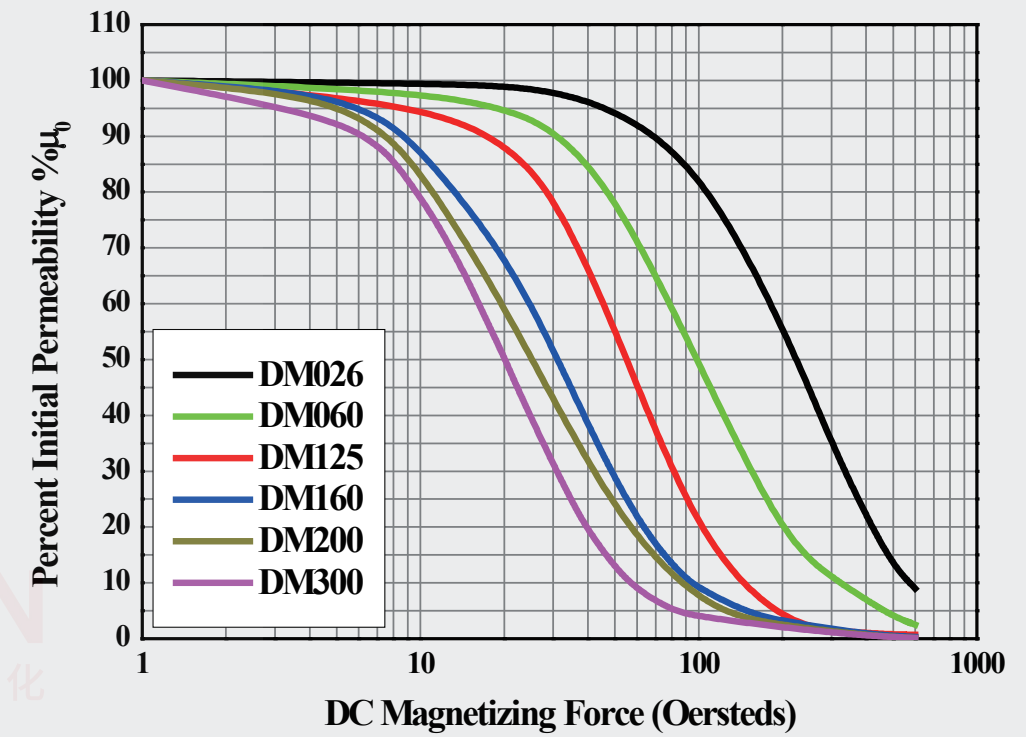


$$\%Perm = \frac{1}{a+b \cdot H^c}$$

Material	ui	a	b	c
DFG	26	0.01	3.008E-07	1.732
	60	0.01	7.568E-07	1.852
	75	0.01	2.683E-06	1.736
	90	0.01	6.266E-06	1.640

直流偏置曲线 DC bias curves

铁镍钼 DM 环型 MPP Ring

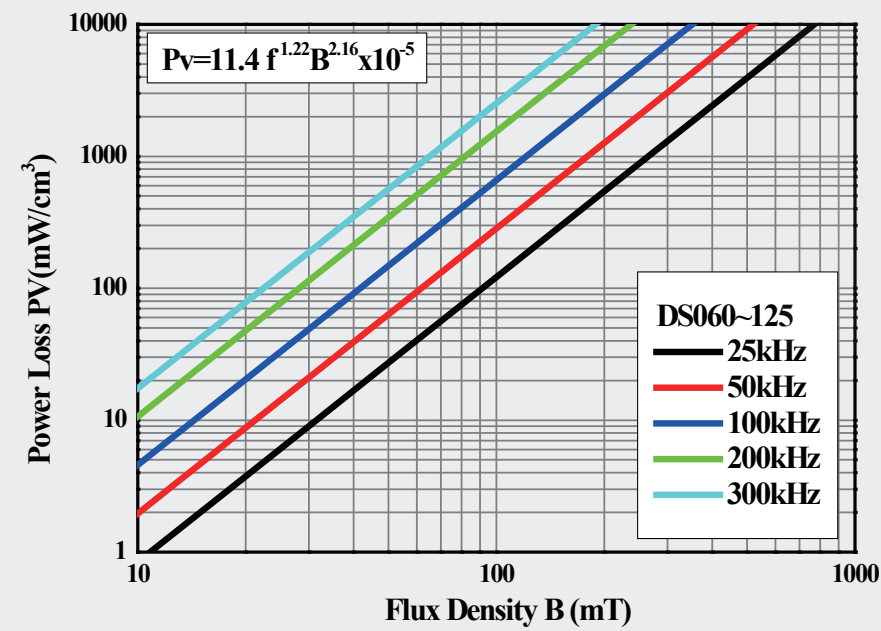
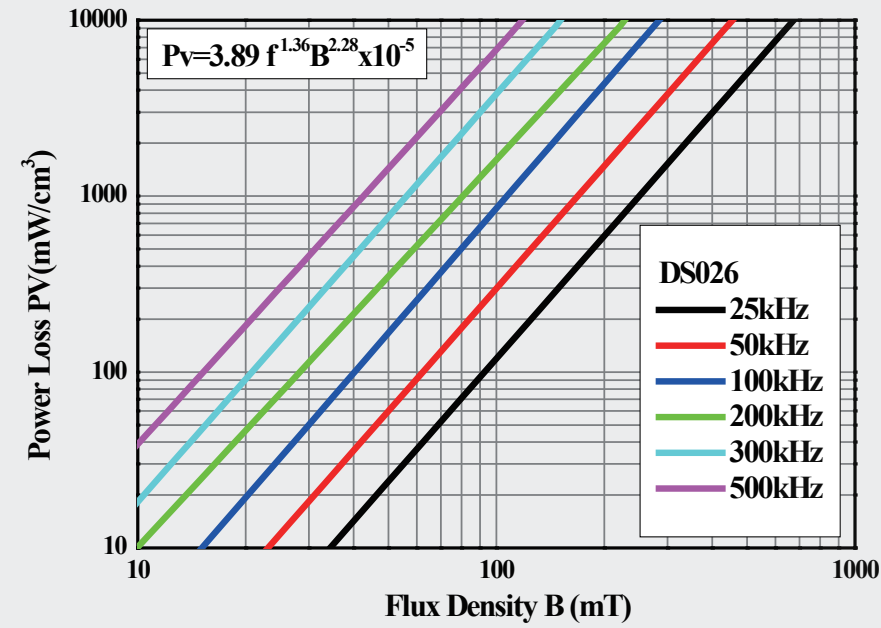


$$\%Perm = \frac{1}{a+b \cdot H^c}$$

Material	ui	a	b	c
DM	26	0.01	1.325E-07	2.084
	60	0.01	1.618E-06	1.899
	125	0.01	1.252E-06	2.238
	160	0.01	1.261E-05	1.933
	200	0.01	3.548E-05	1.747
	300	0.01	2.431E-05	2.016

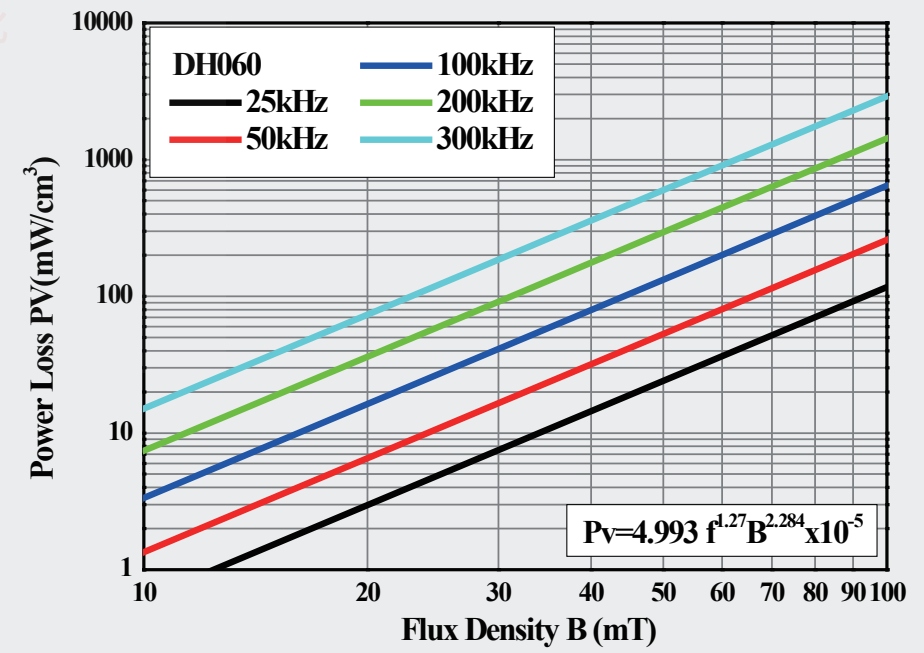
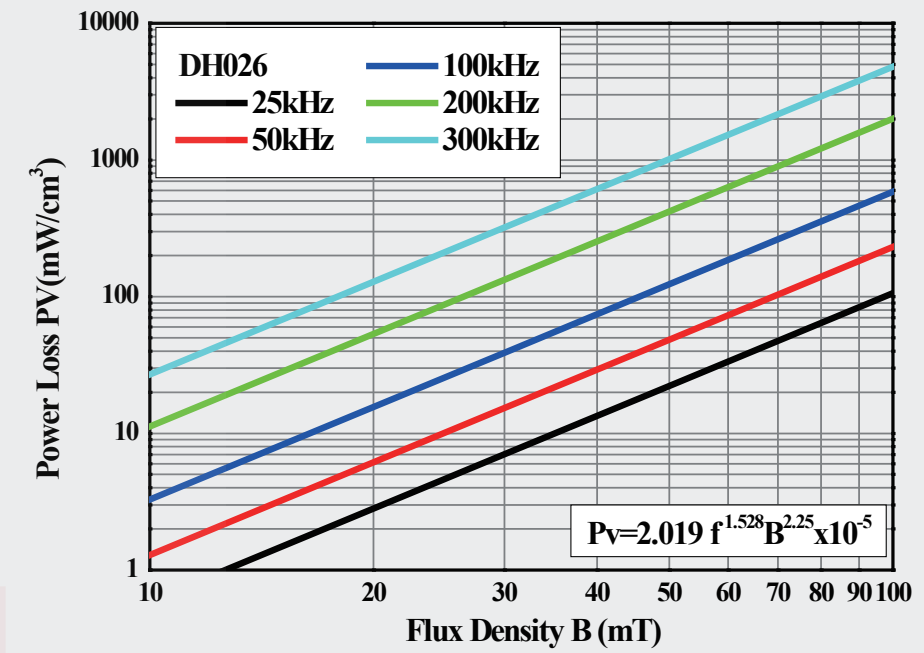
损耗曲线 Loss curves

铁硅铝 DS 环型 Sendust Ring



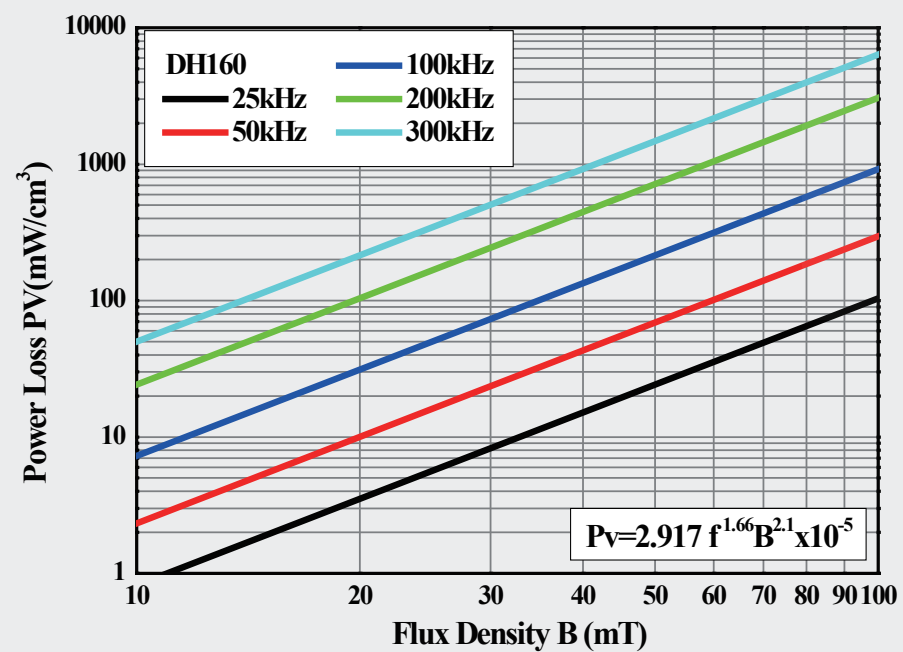
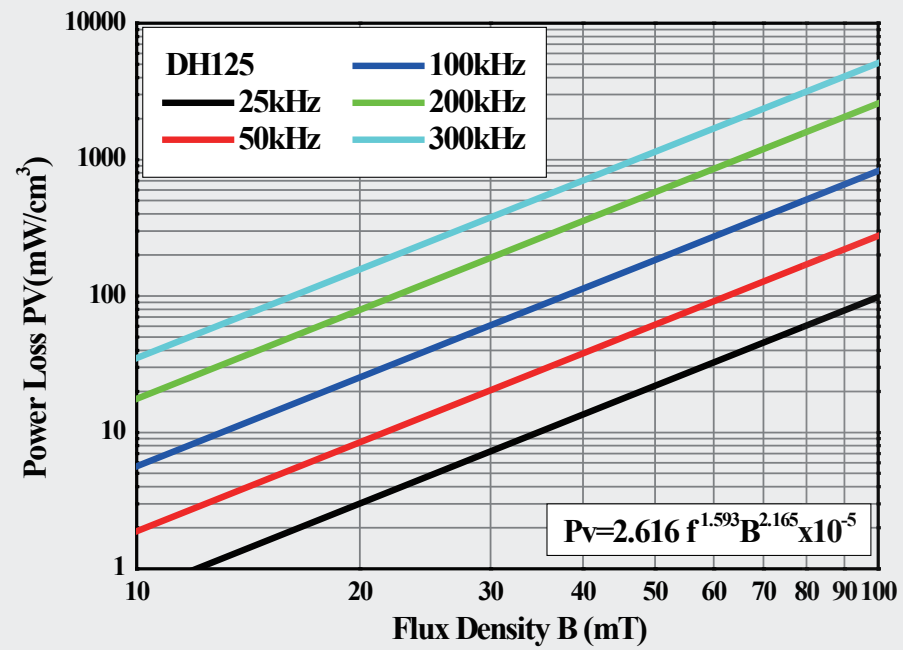
损耗曲线 Loss curves

铁镍 DH 环型 High Flux Ring



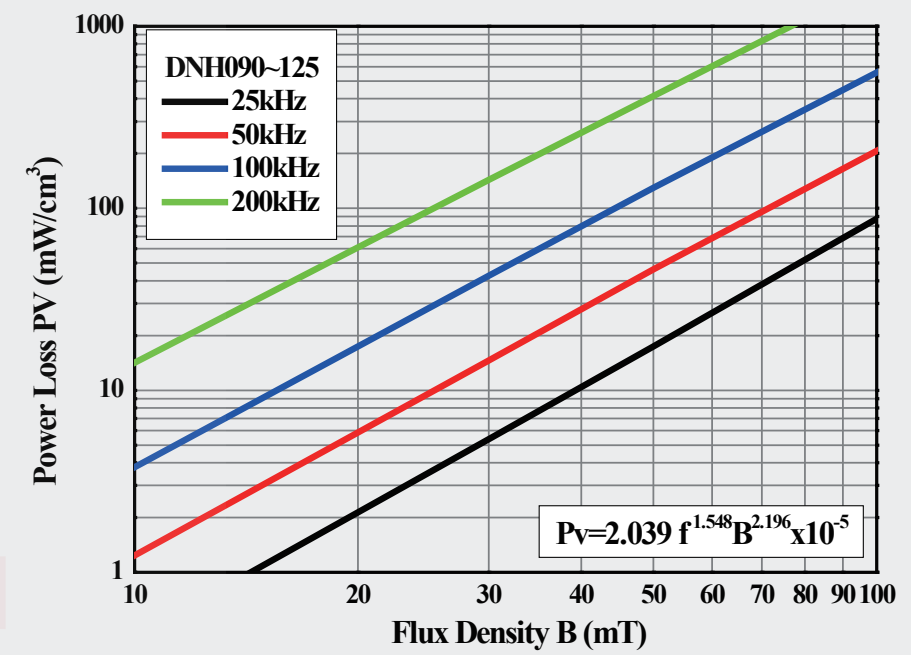
损耗曲线 Loss curves

铁镍 DH 环型 High Flux Ring



损耗曲线 Loss curves

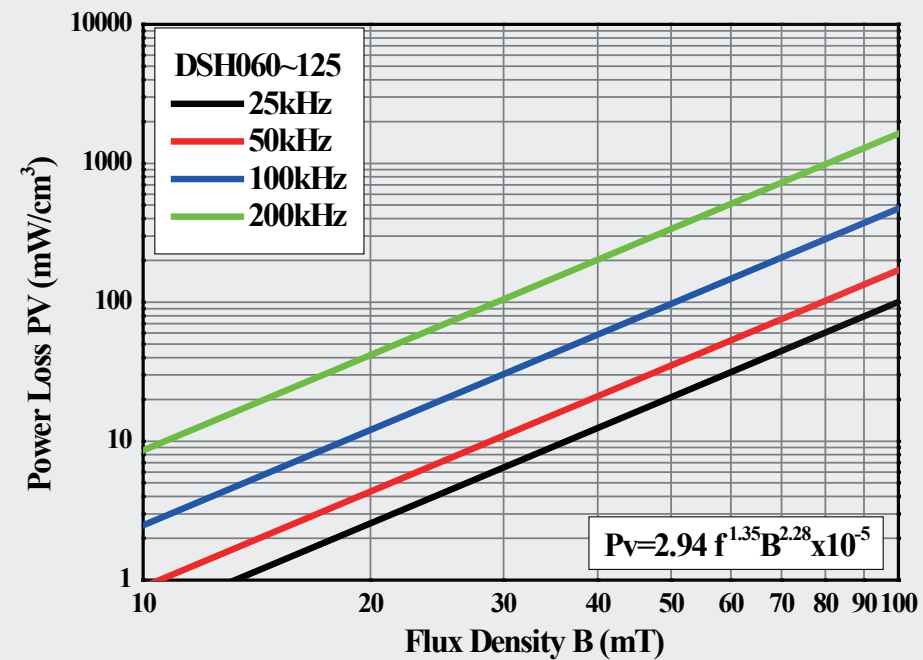
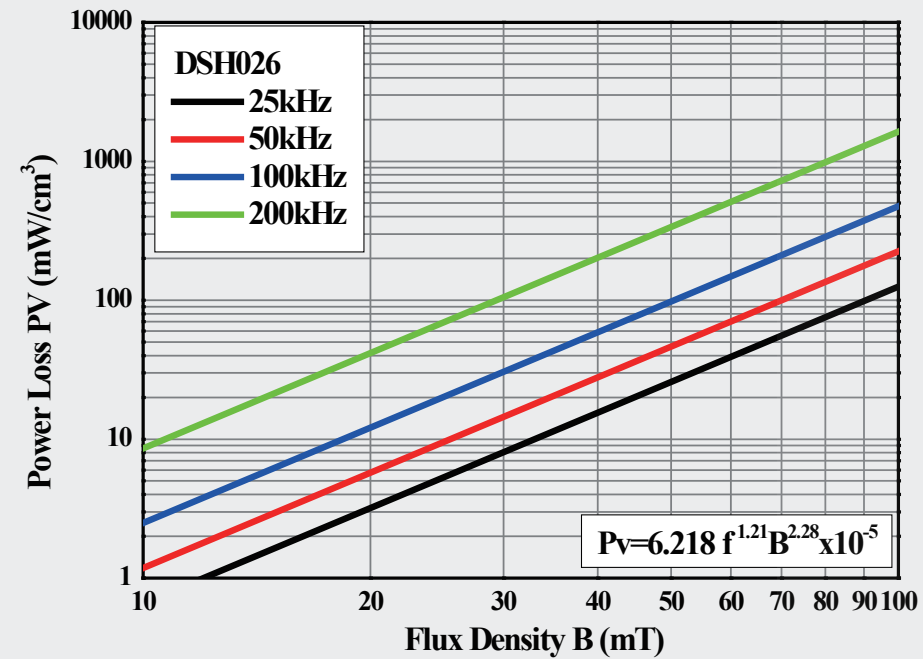
多元合金 DNH 环型 Multi-Alloy DNH Ring



SOLEARN
横 | 店 | 竖 | 人 | 文 | 化

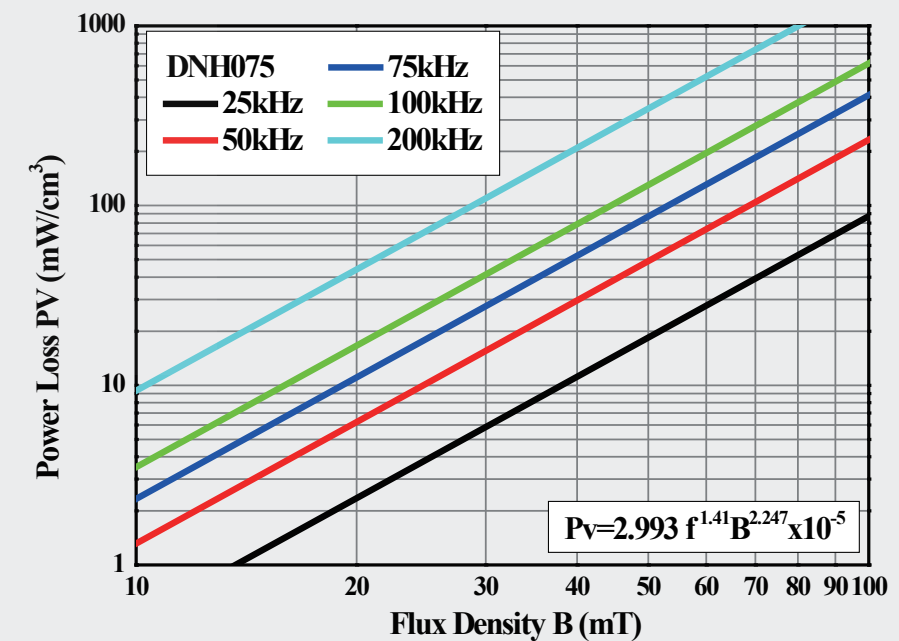
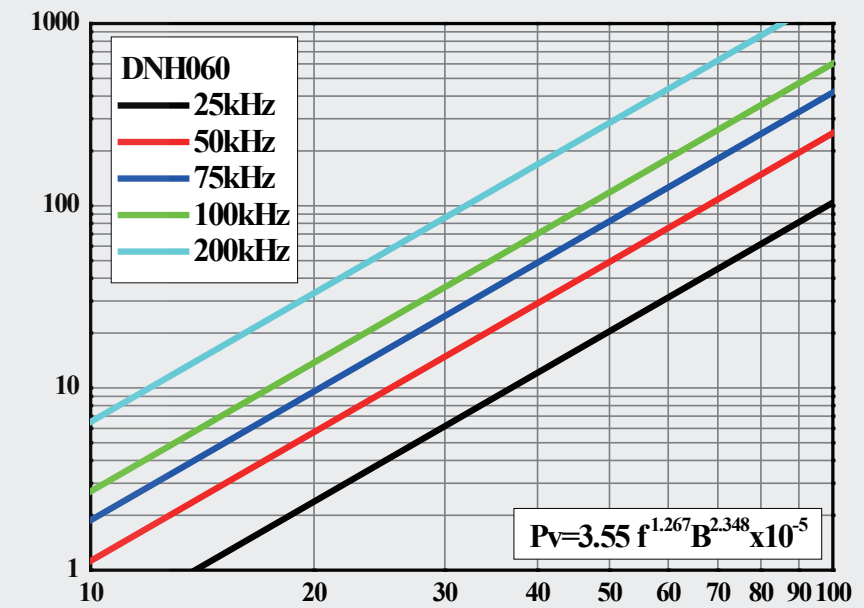
损耗曲线
Loss curves

多元合金 DSH 环型 Multi-Alloy DSH Ring



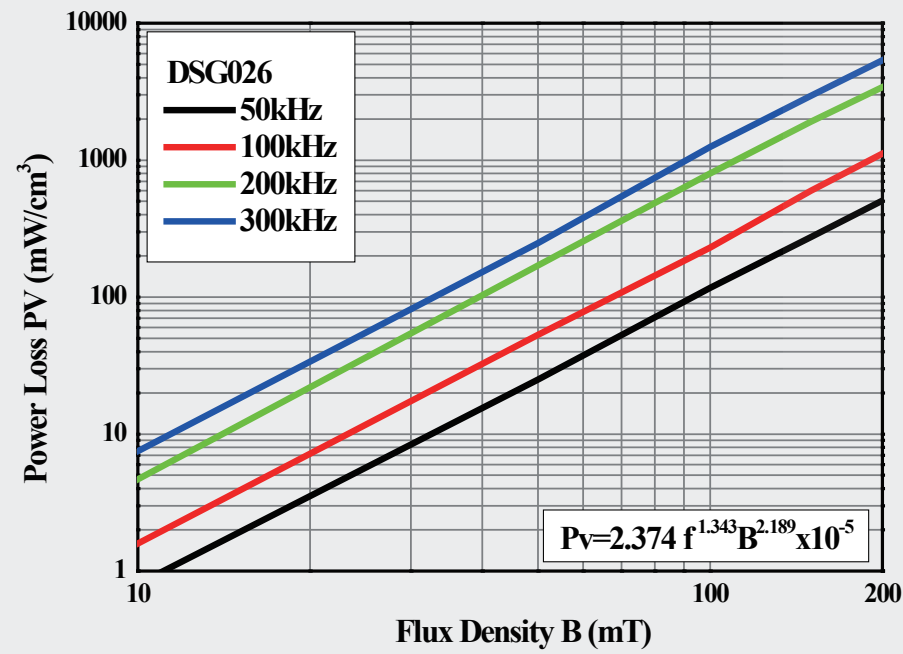
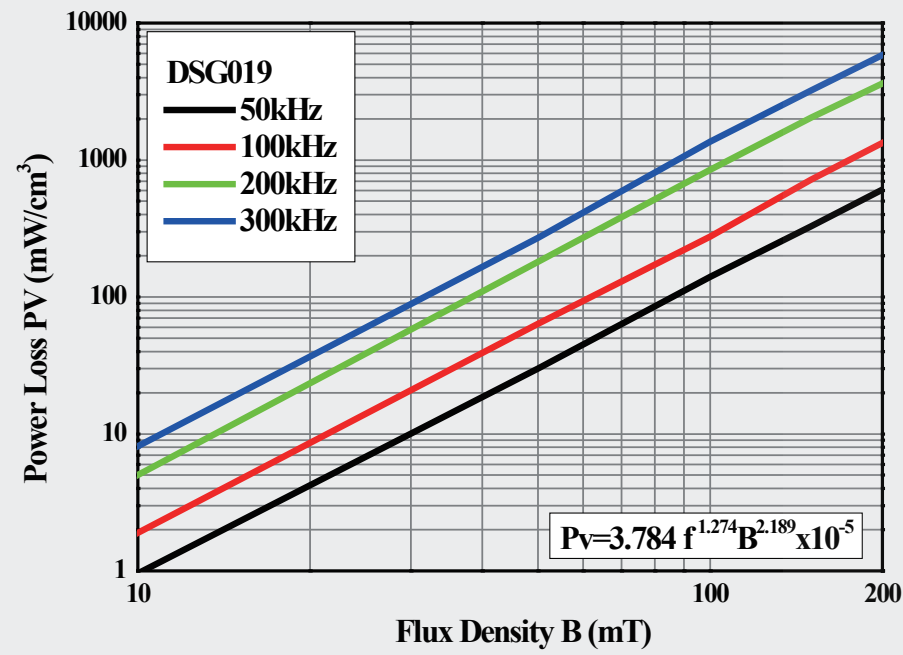
损耗曲线
Loss curves

多元合金 DSH 环型 Multi-Alloy DSH Ring



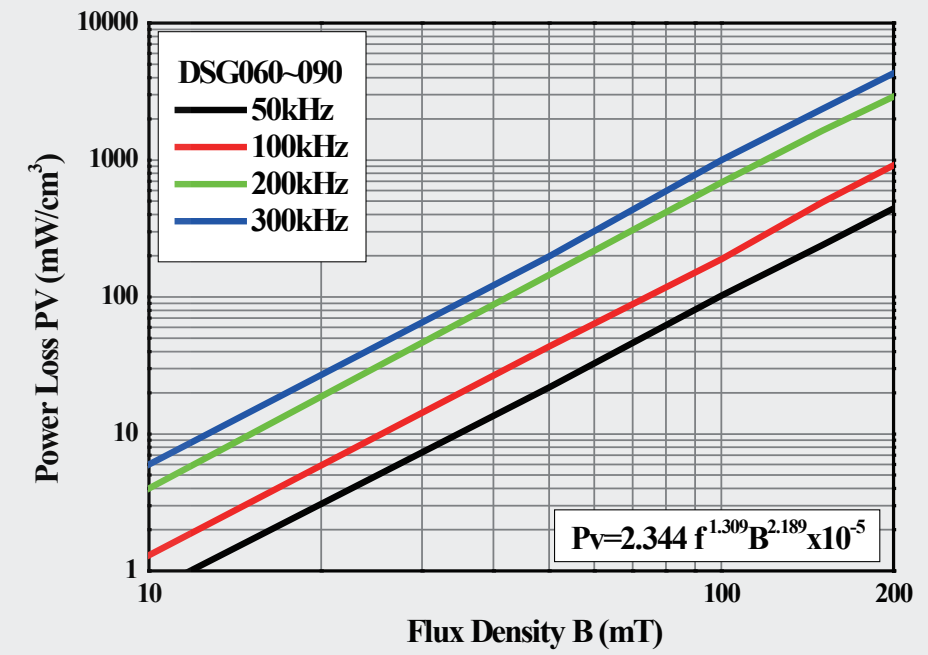
材料性能对比曲线 Comparison curves of material properties

多元合金 DSG 环型 Multi-Alloy DSG Ring



直流偏置曲线 DC bias curves

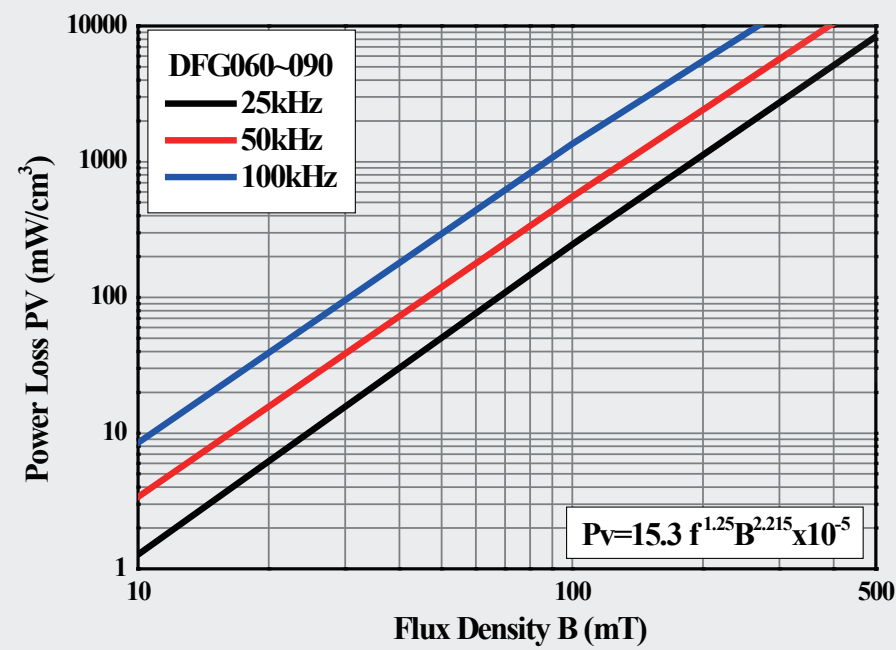
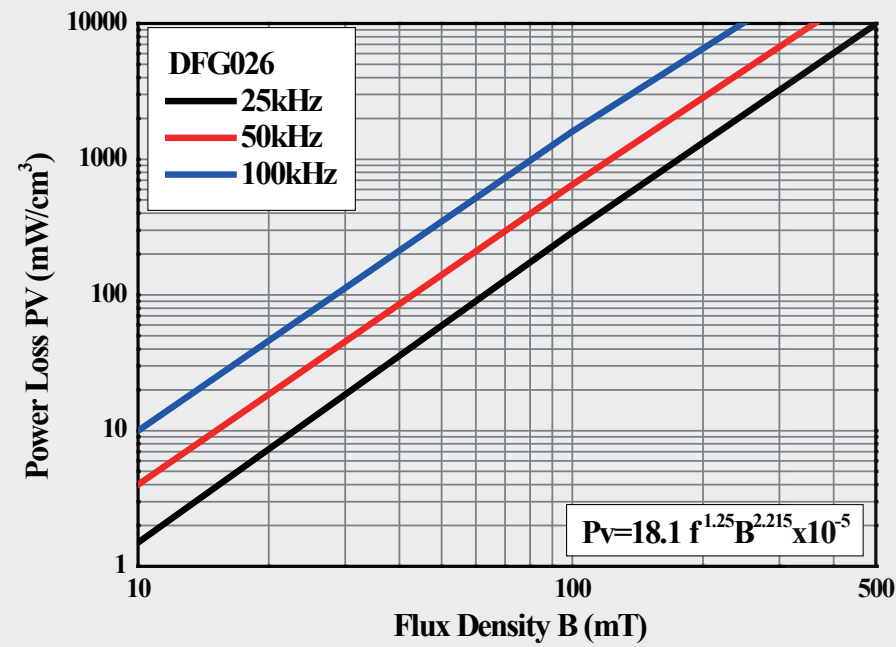
多元合金 DSG 环型 Multi-Alloy DSG Ring



SOLEARN
横 | 店 | 竖 | 人 | 文 | 化

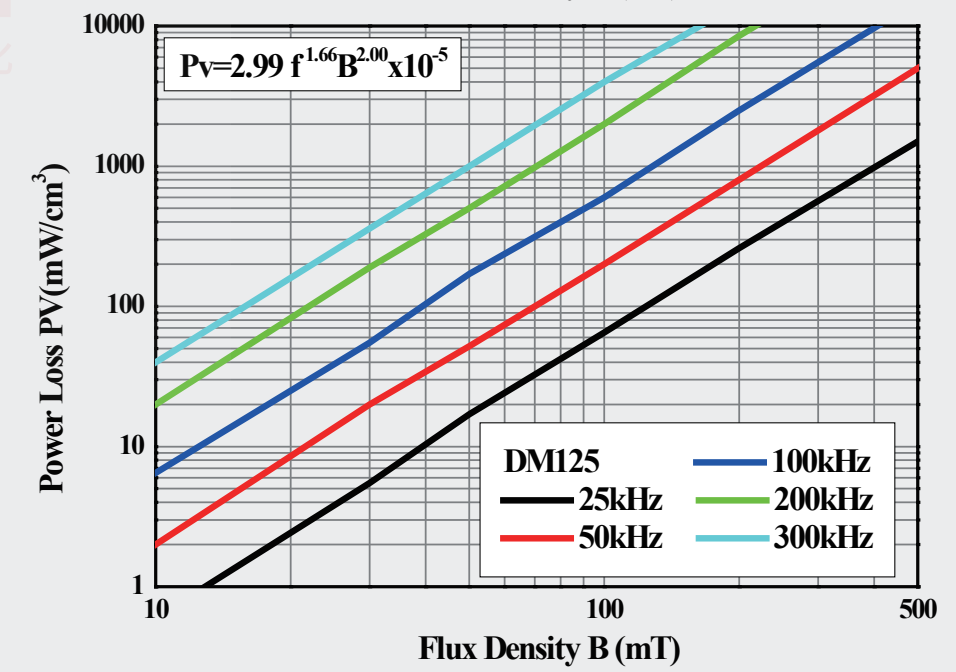
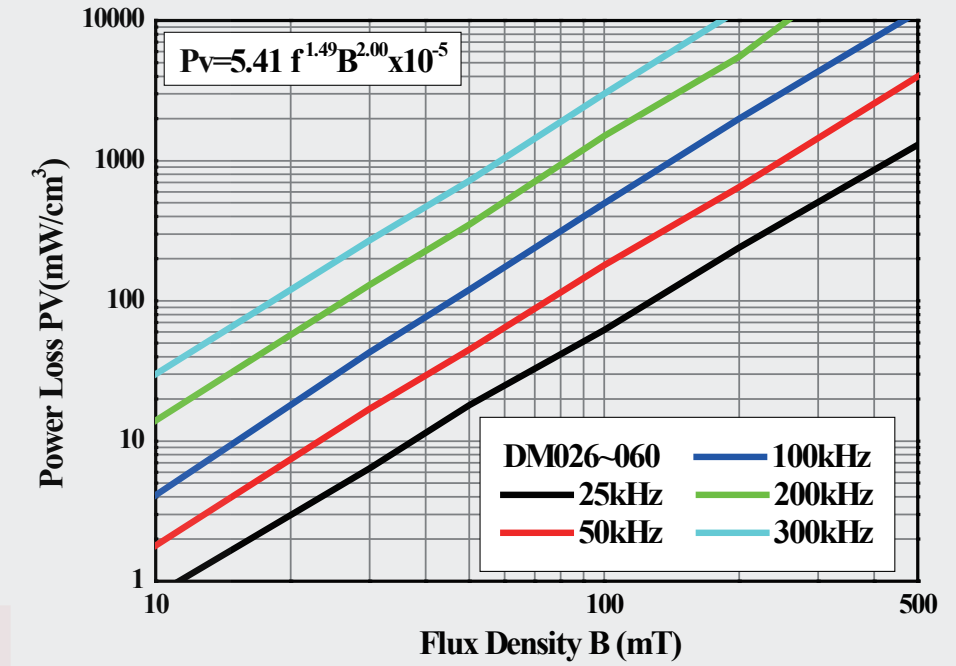
损耗曲线
Loss curves

铁硅 DFG 环型 Ma-Flux Ring



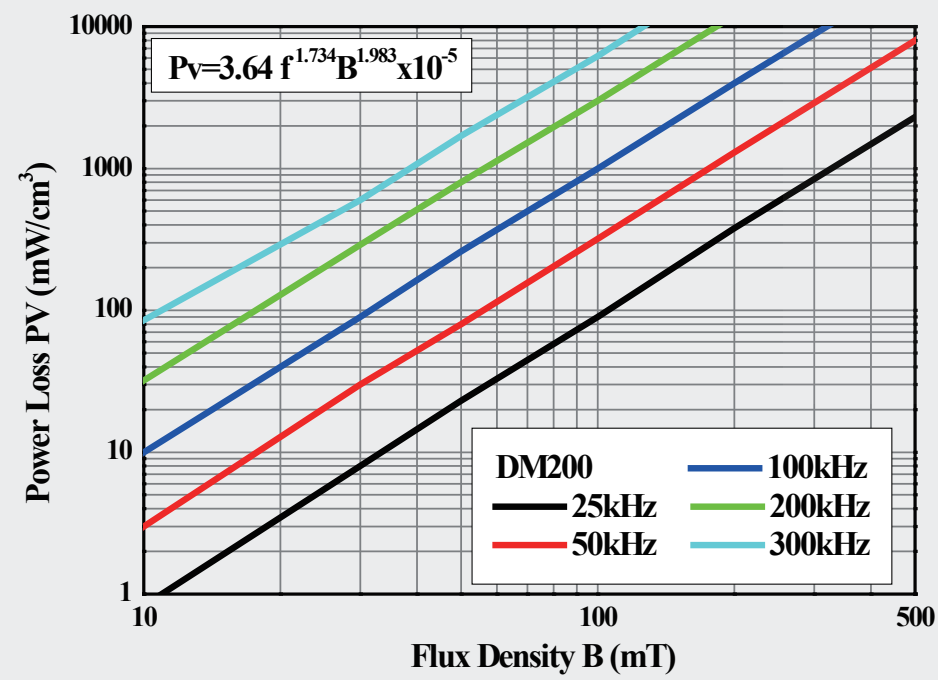
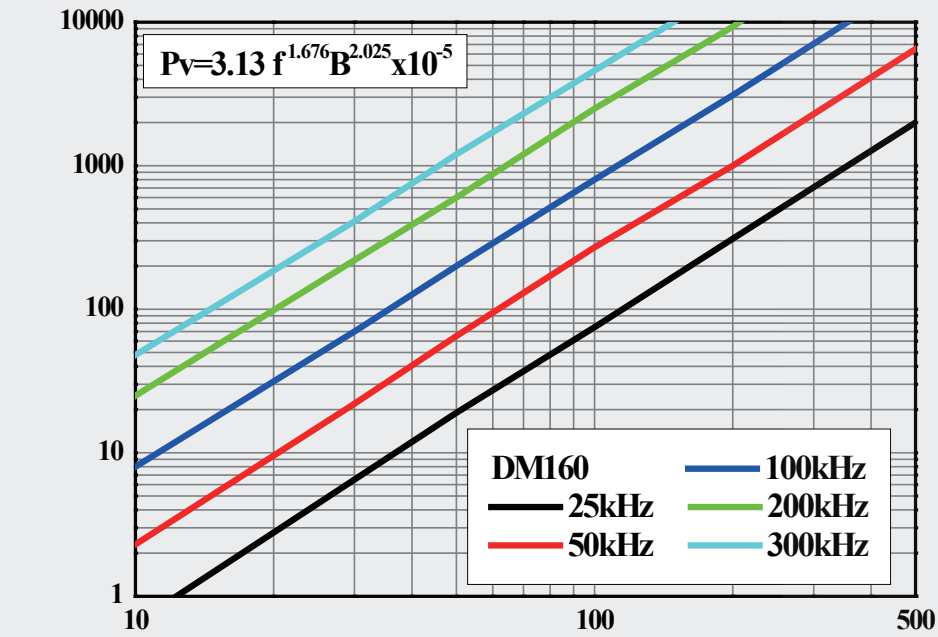
损耗曲线
Loss curves

铁镍钼 DM 环型 MPP Ring

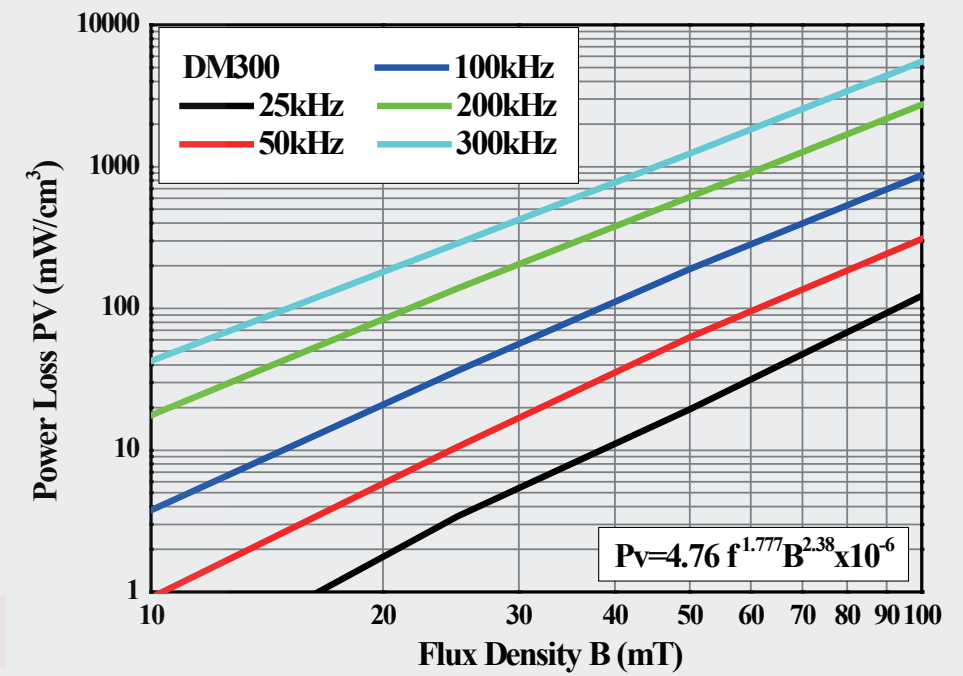


损耗曲线
Loss curves

铁镍钼 DM 环型 MPP Ring



铁镍钼 DM 环型 MPP Ring



SOLEARN
横 | 店 | 竖 | 人 | 文 | 化

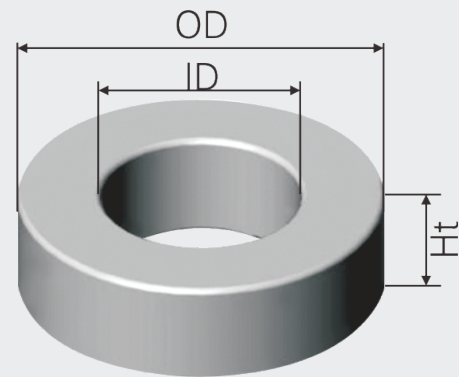
环形磁心 Ring cores

型号 Type	尺寸 Dimensions(mm)						有效 截面积 Ae (cm ²)	有效 磁路长 Le (cm)	有效 体积 (cm ³)
	喷涂前 Before Coating			喷涂后 After Coating					
	OD	ID	HT	OD max	ID min	HT max			
D□035□□□	3.56	1.78	1.52	4.19	1.27	2.16	0.0137	0.817	0.0107
D□047□□□A	4.58	2.40	0.82	4.70	2.26	0.95	0.0116	1.093	0.0127
D□047□□□A1	4.65	2.36	2.54	4.85	2.16	2.74	0.0285	1.060	0.0290
D□063□□□	6.35	2.80	2.79	6.99	2.29	3.43	0.0470	1.361	0.0640
D□068□□□	6.86	3.96	5.08	7.50	3.46	5.72	0.0725	1.650	0.1196
D□078□□□	7.87	3.96	3.18	8.51	3.43	3.82	0.0615	1.787	0.1099
D□097□□□	9.65	4.78	3.18	10.29	4.27	3.81	0.0752	2.180	0.1639
D□102□□□	10.20	5.08	3.96	10.80	4.57	4.57	0.1000	2.380	0.2380
D□112□□□	11.20	6.35	3.96	11.89	5.89	4.57	0.0906	2.690	0.2440
D□127□□□	12.70	7.62	4.75	13.50	7.00	5.45	0.1140	3.120	0.3560
D□166□□□	16.50	10.20	6.35	17.40	9.50	7.10	0.1920	4.110	0.7890
D□173□□□	17.30	9.65	6.35	18.00	9.00	7.10	0.2320	4.140	0.9600
D□203□□□	20.30	12.70	6.35	21.10	12.10	7.10	0.2260	5.090	1.1500
D□229□□□	22.90	14.00	7.62	23.60	13.40	8.37	0.3310	5.670	1.8800
D□234□□□C	23.40	14.40	8.89	24.30	13.77	9.70	0.3880	5.880	2.2800
D□236□□□	23.60	14.40	8.89	24.30	13.70	9.70	0.3880	5.880	2.2800
D□236□□□C/14	23.60	14.40	14.24	24.30	13.70	15.00	0.6200	5.880	3.6400
D□236□□□C/18	23.60	14.40	18.24	24.30	13.70	19.00	0.7950	5.880	4.6700
D□269□□□A	26.92	15.20	11.90	27.22	14.95	12.20	0.6790	6.270	4.2600
D□270□□□	26.90	14.70	11.20	27.60	14.10	11.90	0.6540	6.350	4.1500

型号 Type	尺寸 Dimensions(mm)						有效 截面积 Ae (cm ²)	有效 磁路长 Le (cm)	有效 体积 (cm ³)
	喷涂前 Before Coating			喷涂后 After Coating					
	OD	ID	HT	OD max	ID min	HT max			
D□270□□□A/13	26.90	14.70	13.00	27.60	14.10	14.00	0.760	6.35	4.826
D□270□□□A/14	26.90	14.70	14.24	27.60	14.10	15.00	0.817	6.35	5.188
D□270□□□A/18	26.90	14.70	18.24	27.60	14.10	19.00	1.050	6.35	6.670
D□330□□□	33.00	19.90	10.70	33.80	19.30	11.60	0.672	8.15	5.480
D□358□□□	35.80	22.40	10.46	36.71	21.50	11.26	0.678	8.98	6.090
D□384□□□	38.40	21.50	8.26	39.40	20.86	9.02	0.657	9.38	6.160
D□384□□□B	38.40	21.50	7.00	39.30	20.60	7.00	0.575	8.90	5.120
D□384□□□C	37.40	16.00	7.50	38.40	15.20	8.00	0.756	7.46	5.640
D□400□□□	39.90	24.10	14.48	40.70	23.30	15.38	1.072	9.84	10.550
D□401□□□A	40.13	22.08	17.00	40.94	21.27	17.89	1.540	9.51	15.040
D□467□□□	46.70	24.10	18.00	47.64	23.32	18.92	1.990	10.74	21.370
D□468□□□	46.70	28.70	15.20	47.64	27.92	16.12	1.340	11.63	15.580
D□508□□□	50.80	31.80	13.45	51.80	30.80	14.40	1.251	12.73	15.930
D□508□□□A	50.80	24.10	22.20	51.70	23.20	23.20	2.830	10.70	30.281
D□571□□□	57.20	26.40	15.20	58.00	25.60	16.00	2.290	12.50	28.620
D□572□□□	57.20	35.60	13.95	58.02	34.74	14.86	1.444	14.30	20.650
D□610□□□	62.00	32.50	25.00	63.10	31.37	26.20	3.675	14.37	52.810
D□740□□□	74.10	45.30	35.00	75.20	44.07	36.27	5.040	18.38	92.640
D□778□□□	77.80	49.23	12.70	78.90	48.00	13.97	1.770	20.00	34.770

注：前面的□为材质代码，如S、FG、M、H等；
后面的□□□表示磁导率，如磁导率为60，则表示为060；磁导率为125，则表示为125。

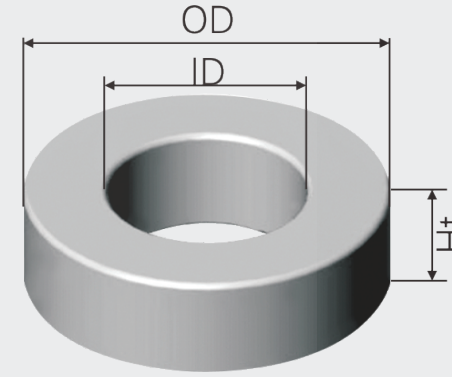
D□035



Core Dimensions			
	OD (mm)	ID (mm)	HT (mm)
Before coating	3.56 ^{+0.63} _{-0.1}	1.78 ^{+0.1} _{-0.51}	1.52 ^{+0.64} _{-0.15}
After coating	4.19 max	1.27 min	2.16 max
Core Parameter			
Ae (cm ²)	le (cm)	Ve (cm ³)	
0.0137	0.817	0.0107	

Cores								
Part No.							Perm.	AL
铁硅铝 Sendust	铁镍 High Flux	铁镍钼 MPP	铁硅 Ma-Flux	多元合金 Multi-Alloy			μ	nH/N ²
				DSH	DNH	DSG		
-	-	-	-	-	-	-	26	5
DS035060	-	-	-	-	-	-	60	13
DS035075	-	-	-	-	-	-	75	16
DS035090	-	-	-	-	-	-	90	19
DS035125	-	DM035125	-	-	-	-	125	26
-	-	DM035160	-	-	-	-	160	33
-	-	DM035200	-	-	-	-	200	43
-	-	DM035300	-	-	-	-	300	64

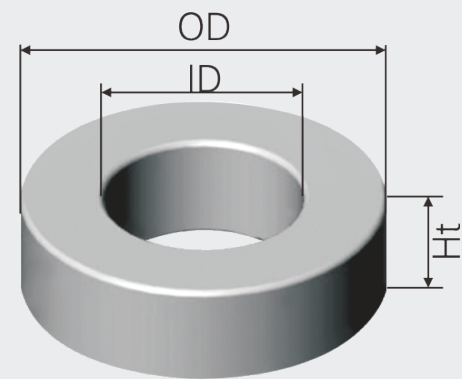
D□047A



Core Dimensions			
	OD (mm)	ID (mm)	HT (mm)
Before coating	4.58±0.05	2.40±0.05	0.82±0.05
After coating	4.70 max	2.26 min	0.95 max
Core Parameter			
Ae (cm ²)	le (cm)	Ve (cm ³)	
0.0116	1.093	0.0127	

Cores								
Part No.							Perm.	AL
铁硅铝 Sendust	铁镍 High Flux	铁镍钼 MPP	铁硅 Ma-Flux	多元合金 Multi-Alloy			μ	nH/N ²
				DSH	DNH	DSG		
-	-	-	-	-	-	-	26	3
DS047060A	-	-	-	-	-	-	60	7
DS047075A	-	-	-	-	-	-	75	9
DS047090A	DH047125A	-	-	-	-	-	90	11
DS047125A	DH047160A	DM047125	-	-	-	-	125	15
-	-	DM047160	-	-	-	-	160	19
-	-	DM047200	-	-	-	-	200	24
-	-	DM047300	-	-	-	-	300	36

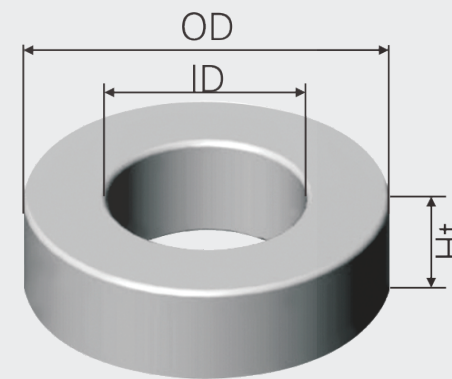
D□047A1



Core Dimensions			
	OD (mm)	ID (mm)	HT (mm)
Before coating	4.65 ^{+0.63} _{-0.1}	2.36 ^{+0.1} _{-0.51}	2.54 ^{+0.64} _{-0.15}
After coating	4.85 max	2.16 min	2.74 max
Core Parameter			
Ae (cm ²)	le (cm)	Ve (cm ³)	
0.0285	1.06	0.029	

Cores								
Part No.							Perm.	AL
铁硅铝 Sendust	铁镍 High Flux	铁镍钼 MPP	铁硅 Ma-Flux	多元合金 Multi-Alloy			μ	nH/N ²
				DSH	DNH	DSG		
-	-	-	-	-	-	-	26	9
DS047060A1	-	-	-	-	-	-	60	20
DS047075A1	-	-	-	-	-	-	75	25
DS047090A1	-	-	-	-	-	-	90	19
DS047125A1	DH047125A1	DM047125A1	-	-	-	-	125	26
-	DH047160A1	DM047160A1	-	-	-	-	160	33
-	-	DM047200A1	-	-	-	-	200	43
-	-	DM047300A1	-	-	-	-	300	64

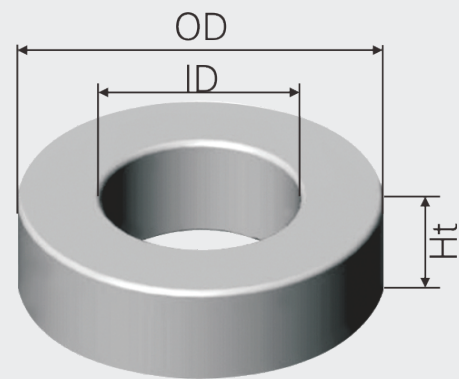
D□063



Core Dimensions			
	OD (mm)	ID (mm)	HT (mm)
Before coating	6.36 ^{+0.63} _{-0.1}	2.80 ^{+0.1} _{-0.51}	2.79 ^{+0.64} _{-0.15}
After coating	6.99 max	2.29 min	3.43 max
Core Parameter			
Ae (cm ²)	le (cm)	Ve (cm ³)	
0.047	1.361	0.064	

Cores								
Part No.							Perm.	AL
铁硅铝 Sendust	铁镍 High Flux	铁镍钼 MPP	铁硅 Ma-Flux	多元合金 Multi-Alloy			μ	nH/N ²
				DSH	DNH	DSG		
-	-	-	-	-	-	-	26	10
DS063060	DH063060	DM063060	-	-	-	-	60	24
DS063075	-	-	-	-	-	-	75	30
DS063090	-	-	-	-	-	-	90	36
DS063125	DH063125	DM063125	-	-	-	-	125	50
-	DS063160	DM063160	-	-	-	-	160	64
-	-	DM063200	-	-	-	-	200	80
-	-	DM063300	-	-	-	-	300	120

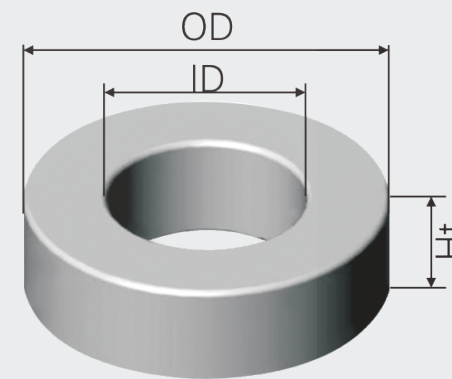
D□068



Core Dimensions			
	OD (mm)	ID (mm)	HT (mm)
Before coating	6.86 ^{+0.63} _{-0.1}	3.96 ^{+0.1} _{-0.51}	5.08 ^{+0.64} _{-0.15}
After coating	7.50 max	3.46 min	5.72 max
Core Parameter			
Ae (cm ²)	le (cm)	Ve (cm ³)	
0.0725	1.65	0.1196	

Cores								
Part No.							Perm.	AL
铁硅铝 Sendust	铁镍 High Flux	铁镍钼 MPP	铁硅 Ma-Flux	多元合金 Multi-Alloy			μ	nH/N ²
				DSH	DNH	DSG		
DS068026	-	-	-	-	-	-	26	14
DS068060	DH068060	DM068060	-	-	-	-	60	33
DS068075	-	-	-	-	-	-	75	42
DS068090	-	-	-	-	-	-	90	50
DS068125	DH068125	DM068125	-	-	-	-	125	70
-	DS068160	DM068160	-	-	-	-	160	90
-	-	DM068200	-	-	-	-	200	112
-	-	DM068300	-	-	-	-	300	168

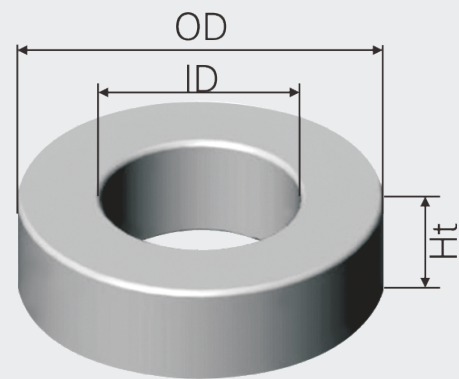
D□078



Core Dimensions			
	OD (mm)	ID (mm)	HT (mm)
Before coating	7.87 ^{+0.63} _{-0.1}	3.96 ^{+0.1} _{-0.51}	3.18 ^{+0.64} _{-0.15}
After coating	8.51 max	3.43 min	3.82 max
Core Parameter			
Ae (cm ²)	le (cm)	Ve (cm ³)	
0.0615	1.787	0.1099	

Cores								
Part No.							Perm.	AL
铁硅铝 Sendust	铁镍 High Flux	铁镍钼 MPP	铁硅 Ma-Flux	多元合金 Multi-Alloy			μ	nH/N ²
				DSH	DNH	DSG		
DS078026	-	-	-	-	-	-	26	12
DS078060	DH078060	DM078060	-	-	-	-	60	25
DS078075	-	-	-	-	-	-	75	31
DS078090	-	-	-	-	-	-	90	37
DS078125	DH078125	DM078125	-	-	-	-	125	52
-	DS078160	DM078160	-	-	-	-	160	67
-	-	DM078200	-	-	-	-	200	83
-	-	DM078300	-	-	-	-	300	124

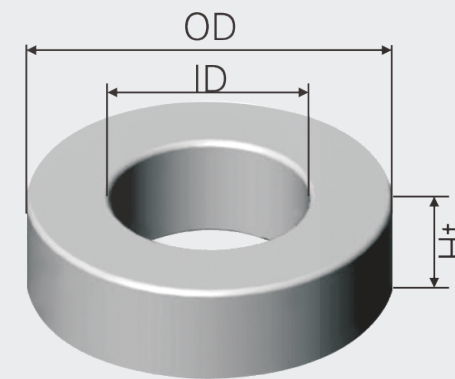
D□097



Core Dimensions			
	OD (mm)	ID (mm)	HT (mm)
Before coating	9.65 ^{+0.63} _{-0.1}	4.87 ^{+0.1} _{-0.51}	3.18 ^{+0.64} _{-0.15}
After coating	10.29max	4.27 min	3.81 max
Core Parameter			
Ae (cm ²)	le (cm)	Ve (cm ³)	
0.0752	2.18	0.1639	

Cores								
Part No.							Perm.	AL
铁硅铝 Sendust	铁镍 High Flux	铁镍钼 MPP	铁硅 Ma-Flux	多元合金 Multi-Alloy			μ	nH/N ²
				DSH	DNH	DSG		
DS097026	-	-	-	-	-	-	26	12
DS097060	DH097060	DM097060	-	-	-	-	60	25
DS097075	-	-	-	-	-	-	75	32
DS097090	-	-	-	-	-	-	90	38
DS097125	DH097125	DM097125	-	-	-	-	125	53
-	DS097160	DM097160	-	-	-	-	160	68
-	-	DM097200	-	-	-	-	200	85
-	-	DM097300	-	-	-	-	300	128

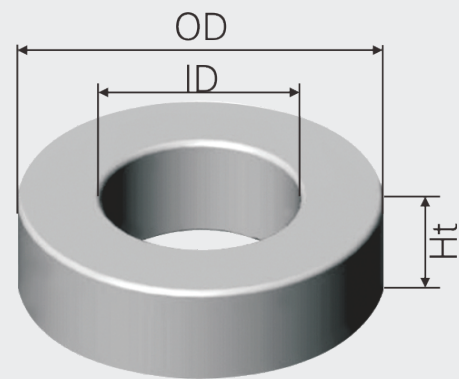
D□102



Core Dimensions			
	OD (mm)	ID (mm)	HT (mm)
Before coating	10.20 ^{+0.63} _{-0.1}	5.08 ^{+0.1} _{-0.51}	3.96 ^{+0.64} _{-0.15}
After coating	10.80 max	4.57 min	4.57 max
Core Parameter			
Ae (cm ²)	le (cm)	Ve (cm ³)	
0.1	2.38	0.238	

Cores								
Part No.							Perm.	AL
铁硅铝 Sendust	铁镍 High Flux	铁镍钼 MPP	铁硅 Ma-Flux	多元合金 Multi-Alloy			μ	nH/N ²
				DSH	DNH	DSG		
DS102026	-	-	-	-	-	-	26	14
DS102060	DH102060	DM102060	-	-	-	-	60	32
DS102075	-	-	-	-	-	-	75	40
DS102090	-	-	-	-	-	-	90	48
DS102125	DH102125	DM102125	-	-	-	-	125	66
-	DS102160	DM102160	-	-	-	-	160	84
-	-	DM102200	-	-	-	-	200	107
-	-	DM102300	-	-	-	-	300	160

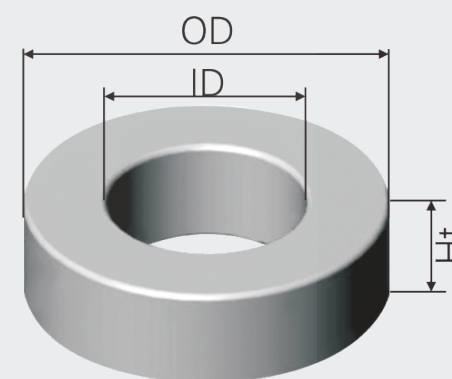
D□112



Core Dimensions			
	OD (mm)	ID (mm)	HT (mm)
Before coating	11.20 ^{+0.63} _{-0.1}	6.35 ^{+0.1} _{-0.51}	3.96 ^{+0.64} _{-0.15}
After coating	11.89 max	5.89 min	4.57 max
Core Parameter			
Ae (cm ²)	le (cm)	Ve (cm ³)	
0.0906	2.69	0.244	

Cores								
Part No.							Perm.	AL
铁硅铝 Sendust	铁镍 High Flux	铁镍钼 MPP	铁硅 Ma-Flux	多元合金 Multi-Alloy			μ	nH/N ²
				DSH	DNH	DSG		
DS112026	-	-	-	-	-	-	26	12
DS112060	DH112060	DM112060	-	-	-	-	60	26
DS112075	-	-	-	-	-	-	75	32
DS112090	-	-	-	-	-	-	90	38
DS112125	DH112125	DM112125	-	-	-	-	125	53
-	DS112160	DM112160	-	-	-	-	160	68
-	-	DM112200	-	-	-	-	200	85
-	-	DM112300	-	-	-	-	300	128

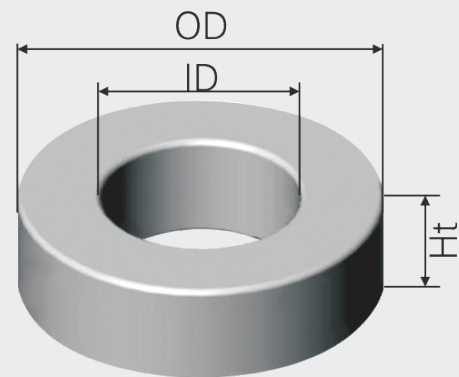
D□127



Core Dimensions			
	OD (mm)	ID (mm)	HT (mm)
Before coating	12.70 ^{+0.76} _{-0.1}	7.62 ^{+0.1} _{-0.64}	4.75 ^{+0.76} _{-0.15}
After coating	13.5 max	7.00 min	5.45 max
Core Parameter			
Ae (cm ²)	le (cm)	Ve (cm ³)	
0.114	3.12	3.356	

Cores								
Part No.							Perm.	AL
铁硅铝 Sendust	铁镍 High Flux	铁镍钼 MPP	铁硅 Ma-Flux	多元合金 Multi-Alloy			μ	nH/N ²
				DSH	DNH	DSG		
DS127026	DH127026	DM127026	DFG127026	-	-	-	26	13
DS127060	DH127060	DM127060	DFG127060	-	DNH127060	-	60	27
DS127075	-	-	DFG127075	-	DNH127075	-	75	34
DS127090	-	-	DFG127090	-	DNH127090	-	90	40
DS127125	DH127125	DM127125	-	-	DNH127125	-	125	56
-	DS127160	DM127160	-	-	-	-	160	72
-	-	DM127200	-	-	-	-	200	91
-	-	DM127300	-	-	-	-	300	136

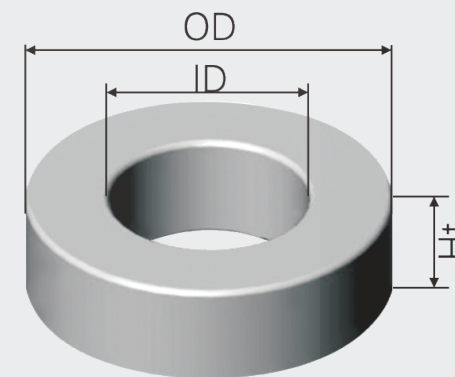
D□166



Core Dimensions			
	OD (mm)	ID (mm)	HT (mm)
Before coating	16.50 ^{+0.9} _{-0.1}	10.20 ^{+0.1} _{-0.67}	6.35 ^{+0.76} _{-0.15}
After coating	17.4 max	9.50 min	7.10 max
Core Parameter			
Ae (cm ²)	le (cm)	Ve (cm ³)	
0.192	4.11	0.789	

Cores								
Part No.							Perm.	AL
铁硅铝 Sendust	铁镍 High Flux	铁镍钼 MPP	铁硅 Ma-Flux	多元合金 Multi-Alloy			μ	nH/N ²
				DSH	DNH	DSG		
DS166026	DH166026	DM166026	DFG166026	-	-	-	26	16
DS166060	DH166060	DM166060	DFG166060	DSH166060	DNH166060	-	60	35
DS166075	-	-	DFG166075	DSH166075	DNH166075	-	75	43
DS166090	-	-	DFG166090	DSH166090	DNH166090	-	90	52
DS166125	DH166125	DM166125	-	DSH166125	DNH166125	-	125	72
-	DS166160	DM166160	-	-	-	-	160	92
-	-	DM166200	-	-	-	-	200	115
-	-	DM166300	-	-	-	-	300	172

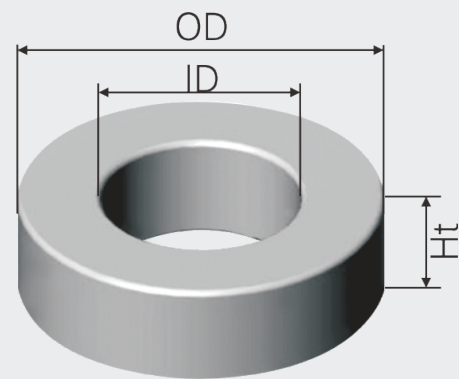
D□173



Core Dimensions			
	OD (mm)	ID (mm)	HT (mm)
Before coating	17.30 ^{+0.73} _{-0.1}	9.65 ^{+0.1} _{-0.63}	6.35 ^{+0.76} _{-0.2}
After coating	18.0 max	9.00 min	7.12 max
Core Parameter			
Ae (cm ²)	le (cm)	Ve (cm ³)	
0.232	4.14	0.96	

Cores								
Part No.							Perm.	AL
铁硅铝 Sendust	铁镍 High Flux	铁镍钼 MPP	铁硅 Ma-Flux	多元合金 Multi-Alloy			μ	nH/N ²
				DSH	DNH	DSG		
DS173026	DH173026	DM173026	DFG173026	-	-	-	26	20
DS173060	DH173060	DM173060	DFG173060	DSH173060	DNH173060	-	60	43
DS173075	-	-	DFG173075	DSH173075	DNH173075	-	75	53
DS173090	-	-	DFG173090	DSH173090	DNH173090	-	90	64
DS173125	DH173125	DM173125	-	DSH173125	DNH173125	-	125	89
-	DS173160	DM173160	-	-	-	-	160	114
-	-	DM173200	-	-	-	-	200	141
-	-	DM173300	-	-	-	-	300	212

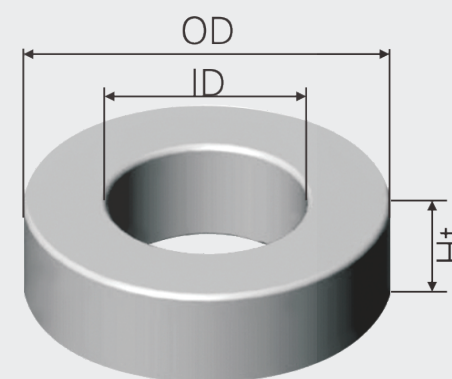
D□203



Core Dimensions			
	OD (mm)	ID (mm)	HT (mm)
Before coating	20.30 ^{+0.8} _{-0.2}	12.70 ^{+0.2} _{-0.63}	6.35 ^{+0.76} _{-0.2}
After coating	21.10 max	12.10min	7.10 max
Core Parameter			
Ae (cm ²)	le (cm)	Ve (cm ³)	
0.226	5.09	1.15	

Cores								
Part No.							Perm.	AL
铁硅铝 Sendust	铁镍 High Flux	铁镍钼 MPP	铁硅 Ma-Flux	多元合金 Multi-Alloy			μ	nH/N ²
				DSH	DNH	DSG		
DS203026	DH203026	DM203026	DFG203026	-	-	-	26	14
DS203060	DH203060	DM203060	DFG203060	DSH203060	DNH203060	-	60	32
DS203075	-	-	DFG203075	DSH203075	DNH203075	-	75	41
DS203090	-	-	DFG203090	DSH203090	DNH203090	-	90	49
DS203125	DH203125	DM203125	-	DSH203125	DNH203125	-	125	68
-	-	-	-	-	-	-	160	87
-	-	-	-	-	-	-	200	109
-	-	-	-	-	-	-	300	164

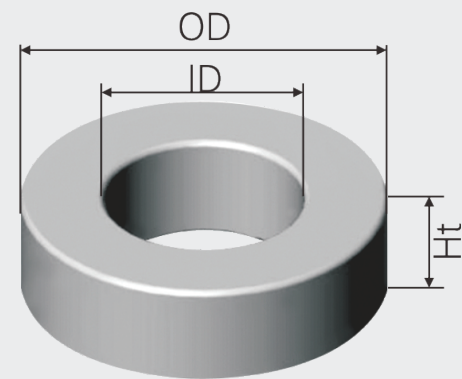
D□229



Core Dimensions			
	OD (mm)	ID (mm)	HT (mm)
Before coating	22.90 ^{+0.8} _{-0.2}	14.00 ^{+0.2} _{-0.63}	7.62 ^{+0.76} _{-0.2}
After coating	23.60 max	13.40 min	8.37 max
Core Parameter			
Ae (cm ²)	le (cm)	Ve (cm ³)	
0.331	5.67	1.88	

Cores								
Part No.							Perm.	AL
铁硅铝 Sendust	铁镍 High Flux	铁镍钼 MPP	铁硅 Ma-Flux	多元合金 Multi-Alloy			μ	nH/N ²
				DSH	DNH	DSG		
DS229026	DH229026	DM229026	DFG229026	-	-	-	26	19
DS229060	DH229060	DM229060	DFG229060	DSH229060	DNH229060	-	60	43
DS229075	-	-	DFG229075	DSH229075	DNH229075	-	75	54
DS229090	-	-	DFG229090	DSH229090	DNH229090	-	90	65
DS229125	DH229125	DM229125	-	DSH229125	DNH229125	-	125	90
-	-	-	-	-	-	-	160	115
-	-	-	-	-	-	-	200	144
-	-	-	-	-	-	-	300	216

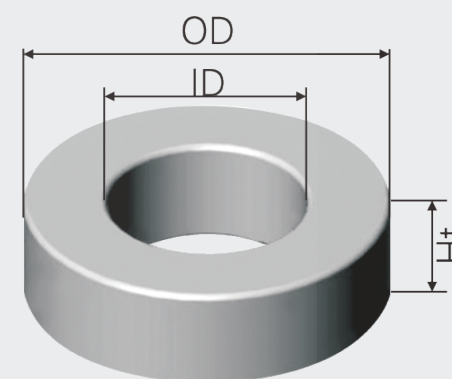
D□234C



Core Dimensions			
	OD (mm)	ID (mm)	HT (mm)
Before coating	23.4 max	14.4 min	8.89 max
After coating	24.3 max	13.77 min	9.7 max
Core Parameter			
Ae (cm ²)	le (cm)	Ve (cm ³)	
0.388	5.88	2.28	

Cores								
Part No.							Perm.	AL
铁硅铝 Sendust	铁镍 High Flux	铁镍钼 MPP	铁硅 Ma-Flux	多元合金 Multi-Alloy			μ	nH/N ²
				DSH	DNH	DSG		
DS234026C	DH234026C	DM234026C	DFG234026C	-	-	-	26	22
DS234060C	DH234060C	DM234060C	DFG234060C	DSH234060C	DNH234060C	-	60	51
DS234075C	-	-	DFG234075C	DSH234075C	DNH234075C	-	75	63
DS234090C	-	-	DFG234090C	DSH234090C	DNH234090C	-	90	76
DS234125C	DH234125C	DM234125C	-	DSH234125C	DNH234125C	-	125	105
-	-	-	-	-	-	-	160	134
-	-	-	-	-	-	-	200	168
-	-	-	-	-	-	-	300	252

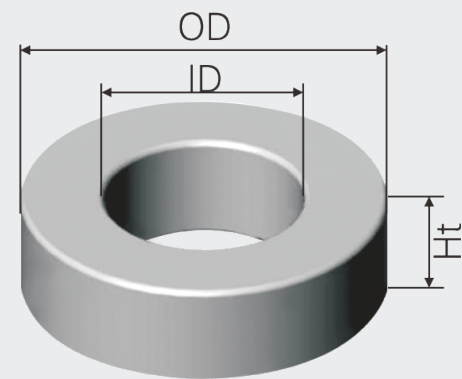
D□236



Core Dimensions			
	OD (mm)	ID (mm)	HT (mm)
Before coating	23.6 ^{+0.8} _{-0.2}	14.4 ^{+0.2} _{-0.63}	8.89 ^{+0.76} _{-0.2}
After coating	24.3 max	13.7 min	9.7 max
Core Parameter			
Ae (cm ²)	le (cm)	Ve (cm ³)	
0.388	5.88	2.28	

Cores								
Part No.							Perm.	AL
铁硅铝 Sendust	铁镍 High Flux	铁镍钼 MPP	铁硅 Ma-Flux	多元合金 Multi-Alloy			μ	nH/N ²
				DSH	DNH	DSG		
DS236026	DH236026	DM236026	DFG236026	-	-	-	26	22
DS236060	DH236060	DM236060	DFG236060	DSH236060	DNH236060	-	60	51
DS236075	-	-	DFG236075	DSH236075	DNH236075	-	75	63
DS236090	-	-	DFG236090	DSH236090	DNH236090	-	90	76
DS236125	DH236125	DM236125	-	DSH236125	DNH236125	-	125	105
-	-	-	-	-	-	-	160	134
-	-	-	-	-	-	-	200	168
-	-	-	-	-	-	-	300	252

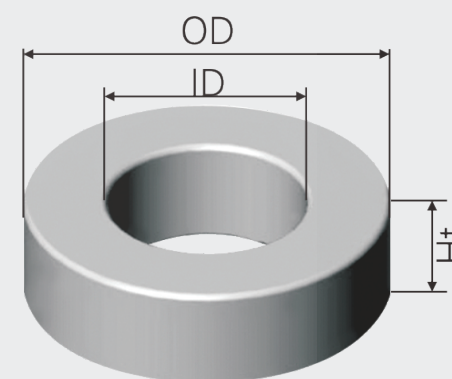
D□236C/14



Core Dimensions			
	OD (mm)	ID (mm)	HT (mm)
Before coating	23.6 ^{+0.8} _{-0.2}	14.4 ^{+0.2} _{-0.63}	14.24 ^{+0.76} _{-0.2}
After coating	24.3 max	13.7 min	15 max
Core Parameter			
Ae (cm ²)	le (cm)	Ve (cm ³)	
0.62	5.88	3.64	

Cores								
Part No.							Perm.	AL
铁硅铝 Sendust	铁镍 High Flux	铁镍钼 MPP	铁硅 Ma-Flux	多元合金 Multi-Alloy			μ	nH/N ²
				DSH	DNH	DSG		
DS236026 C/14	DH236026 C/14	DM236026 C/14	DFG236026 C/14	-	-	-	26	35
DS236060 C/14	DH236060 C/14	DM236060 C/14	DFG236060 C/14	DSH236060 C/14	DNH236060 C/14	-	60	82
DS236075 C/14	-	-	DFG236075 C/14	DSH236075 C/14	DNH236075 C/14	-	75	101
DS236090 C/14	-	-	DFG236090 C/14	DSH236090 C/14	DNH236090 C/14	-	90	121
DS236125 C/14	DH236125 C/14	DM236125 C/14	-	DSH236125 C/14	DNH236125 C/14	-	125	168
-	-	-	-	-	-	-	160	214
-	-	-	-	-	-	-	200	269
-	-	-	-	-	-	-	300	403

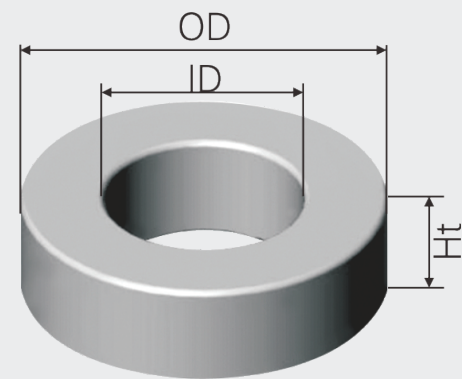
D□236C/18



Core Dimensions			
	OD (mm)	ID (mm)	HT (mm)
Before coating	23.6 ^{+0.8} _{-0.2}	14.4 ^{+0.2} _{-0.63}	18.24 ^{+0.76} _{-0.2}
After coating	24.3 max	13.7 min	19 max
Core Parameter			
Ae (cm ²)	le (cm)	Ve (cm ³)	
0.795	5.88	4.67	

Cores								
Part No.							Perm.	AL
铁硅铝 Sendust	铁镍 High Flux	铁镍钼 MPP	铁硅 Ma-Flux	多元合金 Multi-Alloy			μ	nH/N ²
				DSH	DNH	DSG		
DS236026 C/18	DH236026 C/18	DM236026 C/18	DFG236026 C/18	-	-	-	26	45
DS236060 C/18	DH236060 C/18	DM236060 C/18	DFG236060 C/18	DSH236060 C/18	DNH236060 C/18	-	60	104
DS236075 C/18	-	-	DFG236075 C/18	DSH236075 C/18	DNH236075 C/18	-	75	129
DS236090 C/18	-	-	DFG236090 C/18	DSH236090 C/18	DNH236090 C/18	-	90	156
DS236125 C/18	DH236125 C/18	DM236125 C/18	-	DSH236125 C/18	DNH236125 C/18	-	125	215
-	-	-	-	-	-	-	160	275
-	-	-	-	-	-	-	200	344
-	-	-	-	-	-	-	300	516

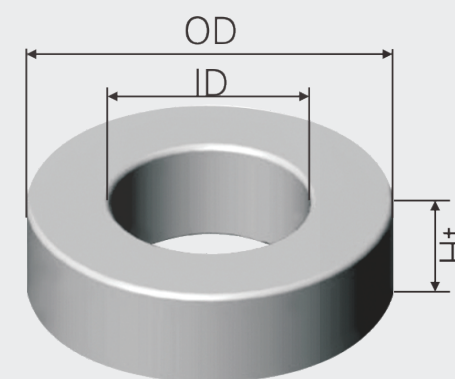
D□269A



Core Dimensions			
	OD (mm)	ID (mm)	HT (mm)
Before coating	26.92±0.3	15.2±0.25	11.90±0.3
After coating	27.22 max	14.95min	12.20max
Core Parameter			
Ae (cm ²)	le (cm)	Ve (cm ³)	
0.679	6.27	4.26	

Cores								
Part No.							Perm.	AL
铁硅铝 Sendust	铁镍 High Flux	铁镍钼 MPP	铁硅 Ma-Flux	多元合金 Multi-Alloy			μ	nH/N ²
				DSH	DNH	DSG		
DS269026A	DH269026A	DM269026A	DFG269026A	-	-	-	26	33
DS269060A	DH269060A	DM269060A	DFG269060A	DSH269060A	DNH269060A	-	60	75
DS269075A	-	-	DFG269075A	DSH269075A	DNH269075A	-	75	94
DS269090A	-	-	DFG269090A	DSH269090A	DNH269090A	-	90	113
DS269125A	DH269125A	DM269125A	-	DSH269125A	DNH269125A	-	125	156
-	-	-	-	-	-	-	160	200
-	-	-	-	-	-	-	200	251
-	-	-	-	-	-	-	300	376

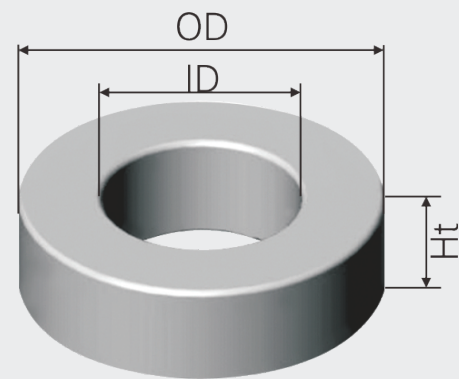
D□270



Core Dimensions			
	OD (mm)	ID (mm)	HT (mm)
Before coating	26.90 ^{+0.8} _{-0.2}	14.70 ^{+0.2} _{-0.63}	11.20 ^{+0.76} _{-0.2}
After coating	27.60 max	14.10 min	11.90 max
Core Parameter			
Ae (cm ²)	le (cm)	Ve (cm ³)	
0.654	6.35	4.15	

Cores								
Part No.							Perm.	AL
铁硅铝 Sendust	铁镍 High Flux	铁镍钼 MPP	铁硅 Ma-Flux	多元合金 Multi-Alloy			μ	nH/N ²
				DSH	DNH	DSG		
DS270026	DH270026	DM270026	DFG270026	-	-	DSG270026	26	32
DS270060	DH270060(T)	DM270060	DFG270060	DSH270060	DNH270060	DSG270060	60	75
DS270075	-	-	DFG270075	DSH270075	DNH270075	DSG270075	75	94
DS270090	-	-	DFG270090	DSH270090	DNH270090	DSG270090	90	113
DS270125	DH270125	DM270125	-	DSH270125	DNH270125	-	125	157
-	-	-	-	-	-	-	160	201
-	-	-	-	-	-	-	200	251
-	-	-	-	-	-	-	300	376

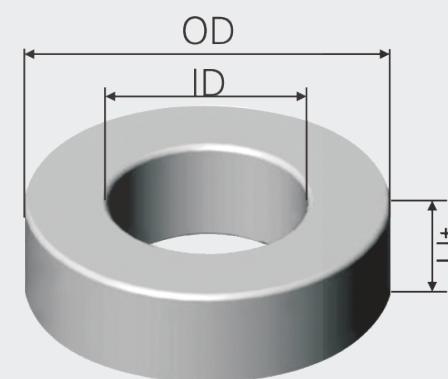
D□270A/13



Core Dimensions			
	OD (mm)	ID (mm)	HT (mm)
Before coating	26.9 ^{+0.8} _{-0.2}	14.7 ^{+0.2} _{-0.63}	13.0 ^{+1.0} _{-0.2}
After coating	27.6 max	14.1 min	14.0 max
Core Parameter			
Ae (cm ²)	le (cm)	Ve (cm ³)	
0.76	6.35	4.826	

Cores								
Part No.							Perm.	AL
铁硅铝 Sendust	铁镍 High Flux	铁镍钼 MPP	铁硅 Ma-Flux	多元合金 Multi-Alloy			μ	nH/N ²
				DSH	DNH	DSG		
DS270026 A/13	DH270026 A/13	DM270026 A/13	DFG270026 A/13	-	-	DSG270026 A/13	26	37
DS270060 A/13	DH270060 A/13(T)	DM270060 A/13	DFG270060 A/13	DSH270060 A/13	DNH270060 A/13	DSG270060 A/13	60	87
DS270075 A/13	-	-	DFG270075 A/13	DSH270075 A/13	DNH270075 A/13	DSG270075 A/13	75	109
DS270090 A/13	-	-	DFG270090 A/13	DSH270090 A/13	DNH270090 A/13	DSG270090 A/13	90	131
DS270125 A/13	DH270125 A/13	DM270125 A/13	-	DSH270125 A/13	DNH270125 A/13	-	125	182
-	-	-	-	-	-	-	160	233
-	-	-	-	-	-	-	200	291
-	-	-	-	-	-	-	300	436

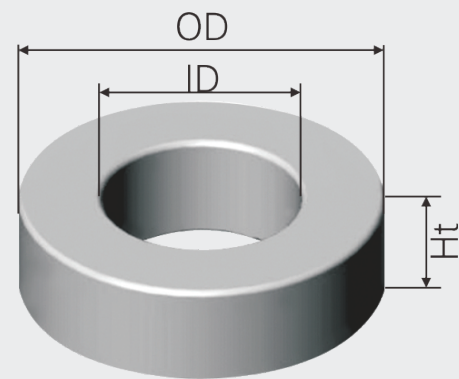
D□270A/14



Core Dimensions			
	OD (mm)	ID (mm)	HT (mm)
Before coating	26.9 ^{+0.8} _{-0.2}	14.7 ^{+0.2} _{-0.63}	14.24 ^{+0.76} _{-0.2}
After coating	27.6 max	14.1 min	15.0 max
Core Parameter			
Ae (cm ²)	le (cm)	Ve (cm ³)	
0.817	6.35	5.188	

Cores								
Part No.							Perm.	AL
铁硅铝 Sendust	铁镍 High Flux	铁镍钼 MPP	铁硅 Ma-Flux	多元合金 Multi-Alloy			μ	nH/N ²
				DSH	DNH	DSG		
DS270026 A/14	DH270026 A/14	DM270026 A/14	DFG270026 A/14	-	-	DSG270026 A/14	26	40
DS270060 A/14	DH270060 A/14	DM270060 A/14	DFG270060 A/14	DSH270060 A/14	DNH270060 A/14	DSG270060 A/14	60	94
DS270075 A/14	-	-	DFG270075 A/14	DSH270075 A/14	DNH270075 A/14	DSG270075 A/14	75	118
DS270090 A/14	-	-	DFG270090 A/14	DSH270090 A/14	DNH270090 A/14	DSG270090 A/14	90	141
DS270125 A/14	DH270125 A/14	DM270125 A/14	-	DSH270125 A/14	DNH270125 A/14	-	125	196
-	-	-	-	-	-	-	160	251
-	-	-	-	-	-	-	200	314
-	-	-	-	-	-	-	300	471

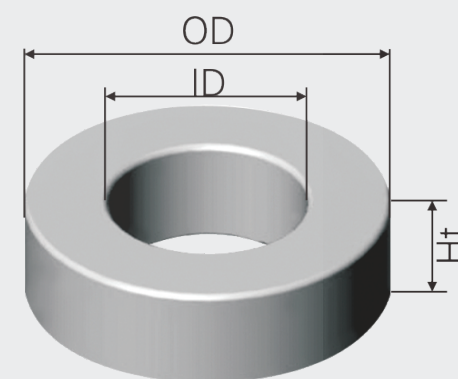
D□270A/18



Core Dimensions			
	OD (mm)	ID (mm)	HT (mm)
Before coating	26.9 ^{+0.8} _{-0.2}	14.7 ^{+0.2} _{-0.63}	18.24 ^{+0.76} _{-0.2}
After coating	27.6 max	14.1 min	19.0 max
Core Parameter			
Ae (cm ²)	le (cm)	Ve (cm ³)	
1.05	6.35	6.67	

Cores								
Part No.							Perm.	AL
铁硅铝 Sendust	铁镍 High Flux	铁镍钼 MPP	铁硅 Ma-Flux	多元合金 Multi-Alloy			μ	nH/N ²
				DSH	DNH	DSG		
DS270026 A/18	DH270026 A/18	DM270026 A/18	DFG270026 A/18	-	-	DSG270026 A/18	26	51
DS270060 A/18	DH270060 A/18 (T)	DM270060 A/18	DFG270060 A/18	DSH270060 A/18	-	DSG270060 A/18	60	120
DS270075 A/18	-	-	-	DSH270075 A/18	DNH270075 A/18	DSG270075 A/18	75	150
DS270090 A/18	-	-	DFG270090 A/18	DSH270090 A/18	DNH270090 A/18	DSG270090 A/18	90	180
DS270125 A/18	DH270125 A/18	DM270125 A/18	-	DSH270125 A/18	DNH270125 A/18	-	125	250
-	-	-	-	-	-	-	160	320
-	-	-	-	-	-	-	200	401
-	-	-	-	-	-	-	300	601

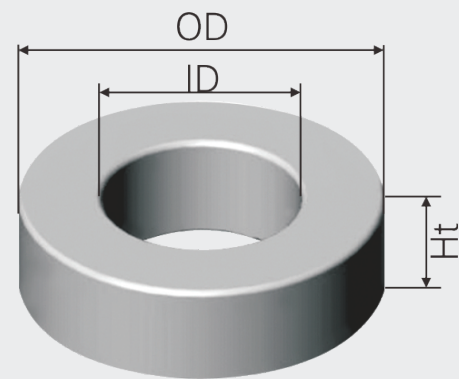
D□330



Core Dimensions			
	OD (mm)	ID (mm)	HT (mm)
Before coating	26.90 ^{+0.8} _{-0.2}	14.70 ^{+0.2} _{-0.63}	11.20 ^{+0.76} _{-0.2}
After coating	27.60 max	14.10 min	11.90 max
Core Parameter			
Ae (cm ²)	le (cm)	Ve (cm ³)	
0.654	6.35	4.15	

Cores								
Part No.							Perm.	AL
铁硅铝 Sendust	铁镍 High Flux	铁镍钼 MPP	铁硅 Ma-Flux	多元合金 Multi-Alloy			μ	nH/N ²
				DSH	DNH	DSG		
DS330026	DH330026	DM330026	DFG330026	-	-	DSG330026	26	28
DS330060	DH330060	DM330060	DFG330060	DSH330060	DNH330060	DSG330060	60	61
DS330075	-	-	DFG330075	DSH330075	DNH330075	DSG330075	75	76
DS330090	-	-	DFG330090	DSH330090	DNH330090	DSG330090	90	91
DS330125	DH330125	DM330125	-	DSH330125	DNH330125	-	125	127
-	-	-	-	-	-	-	160	163
-	-	-	-	-	-	-	200	203
-	-	-	-	-	-	-	300	304

D□358

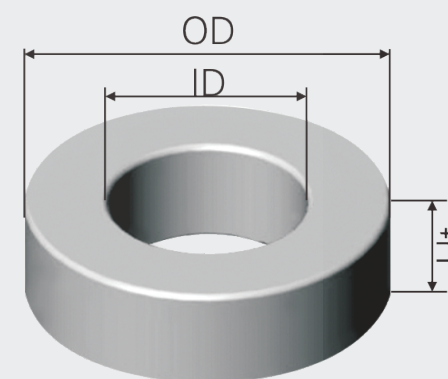


Core Dimensions			
	OD (mm)	ID (mm)	HT (mm)
Before coating	35.8 ^{+0.9} _{-0.2}	22.40 ^{+0.2} _{-0.9}	10.46 ^{+0.9} _{-0.2}
After coating	36.71 max	21.50 min	11.26 max
Core Parameter			
Ae (cm ²)	le (cm)	Ve (cm ³)	
0.678	8.98	6.09	

Cores

Part No.							Perm.	AL
铁硅铝 Sendust	铁镍 High Flux	铁镍铝 MPP	铁硅 Ma-Flux	多元合金 Multi-Alloy			μ	nH/N ²
				DSH	DNH	DSG		
DS358026	DH358026	DM358026	DFG358026	-	-	DSG358026	26	24
DS358060	DH358060	DM358060	DFG358060	DSH358060	DNH358060	DSG358060	60	56
DS358075	-	-	DFG358075	DSH358075	DNH358075	DSG358075	75	70
DS358090	-	-	DFG358090	DSH358090	DNH358090	DSG358090	90	84
DS358125	DH358125	DM358125	-	DSH358125	DNH358125	-	125	117
-	-	-	-	-	-	-	160	150
-	-	-	-	-	-	-	200	187
-	-	-	-	-	-	-	300	280

D□384

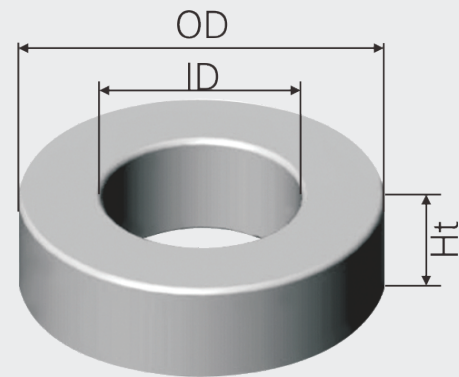


Core Dimensions			
	OD (mm)	ID (mm)	HT (mm)
Before coating	38.4 ^{+0.9} _{-0.2}	21.50 ^{+0.2} _{-0.9}	8.26 ^{+0.9} _{-0.3}
After coating	39.40 max	20.86 min	9.02 max
Core Parameter			
Ae (cm ²)	le (cm)	Ve (cm ³)	
0.657	9.38	6.16	

Cores

Part No.							Perm.	AL
铁硅铝 Sendust	铁镍 High Flux	铁镍铝 MPP	铁硅 Ma-Flux	多元合金 Multi-Alloy			μ	nH/N ²
				DSH	DNH	DSG		
DS384026	DH384026	DM384026	DFG384026	-	-	DSG384026	26	23
DS384060	DH384060	DM384060	DFG384060	DSH384060	DNH384060	DSG384060	60	53
DS384075	-	-	DFG384075	DSH384075	DNH384075	DSG384075	75	66
DS384090	-	-	DFG384090	DSH384090	DNH384090	DSG384090	90	79
DS384125	DH384125	DM384125	-	DSH384125	DNH384125	-	125	110
-	-	-	-	-	-	-	160	141
-	-	-	-	-	-	-	200	176
-	-	-	-	-	-	-	300	264

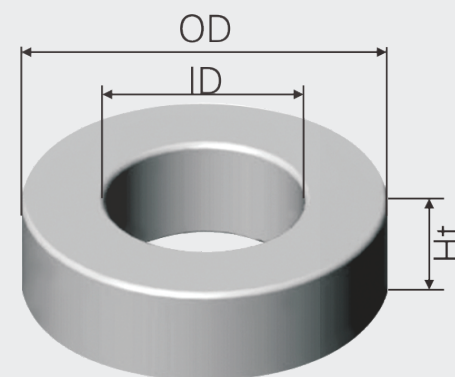
D□400



Core Dimensions			
	OD (mm)	ID (mm)	HT (mm)
Before coating	39.90 ^{+0.9} _{-0.2}	24.10 ^{+0.2} _{-0.9}	14.48 ^{+0.9} _{-0.3}
After coating	40.70 max	23.30 min	15.38 max
Core Parameter			
Ae (cm ²)	le (cm)	Ve (cm ³)	
1.072	9.84	10.55	

Cores								
Part No.							Perm.	AL
铁硅铝 Sendust	铁镍 High Flux	铁镍钼 MPP	铁硅 Ma-Flux	多元合金 Multi-Alloy			μ	nH/N ²
				DSH	DNH	DSG		
DS400026	DH400026	DM400026	DFG400026	-	-	DSG400026	26	35
DS400060	DH400060	DM400060	DFG400060	DSH400060	DNH400060	DSG400060	60	81
DS400075	-	-	DFG400075	DSH400075	DNH400075	DSG400075	75	101
DS400090	-	-	DFG400090	DSH400090	DNH400090	DSG400090	90	121
DS400125	DH400125	DM400125	-	DSH400125	DNH400125	-	125	168
-	-	-	-	-	-	-	160	215
-	-	-	-	-	-	-	200	269
-	-	-	-	-	-	-	300	404

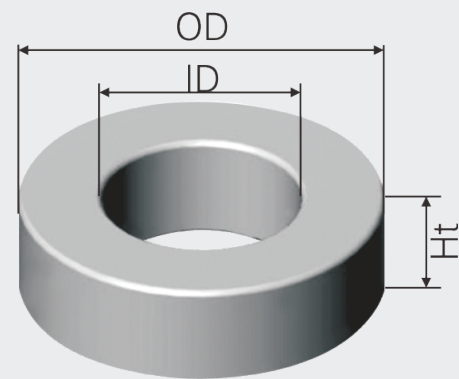
D□467



Core Dimensions			
	OD (mm)	ID (mm)	HT (mm)
Before coating	46.70 ^{+0.9} _{-0.2}	24.10 ^{+0.2} _{-0.9}	18.00 ^{+0.9} _{-0.3}
After coating	47.64 max	23.32 min	18.92 max
Core Parameter			
Ae (cm ²)	le (cm)	Ve (cm ³)	
1.99	10.74	21.37	

Cores								
Part No.							Perm.	AL
铁硅铝 Sendust	铁镍 High Flux	铁镍钼 MPP	铁硅 Ma-Flux	多元合金 Multi-Alloy			μ	nH/N ²
				DSH	DNH	DSG		
DS467026	DH467026	DM467026	DFG467026	-	-	DSG467026	26	59
DS467060	DH467060	DM467060	DFG467060	DSH467060	DNH467060	DSG467060	60	135
DS467075	-	-	DFG467075	DSH467075	DNH467075	DSG467075	75	169
DS467090	-	-	DFG467090	DSH467090	DNH467090	DSG467090	90	202
DS467125	DH467125	DM467125	-	DSH467125	DNH467125	-	125	281
-	-	-	-	-	-	-	160	360
-	-	-	-	-	-	-	200	451
-	-	-	-	-	-	-	300	676

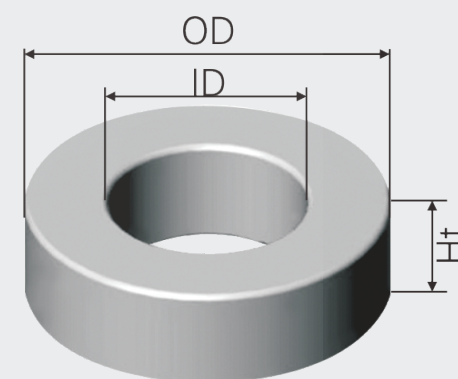
D□468



Core Dimensions			
	OD (mm)	ID (mm)	HT (mm)
Before coating	46.70 ^{+0.9} _{-0.2}	28.70 ^{+0.2} _{-0.9}	15.20 ^{+0.9} _{-0.2}
After coating	47.64 max	27.92 min	16.12 max
Core Parameter			
Ae (cm ²)	le (cm)	Ve (cm ³)	
1.34	11.63	15.58	

Cores								
Part No.							Perm.	AL
铁硅铝 Sendust	铁镍 High Flux	铁镍钼 MPP	铁硅 Ma-Flux	多元合金 Multi-Alloy			μ	nH/N ²
				DSH	DNH	DSG		
DS468026	DH468026	DM468026	DFG468026	-	-	DSG468026	26	37
DS468060	DH468060	DM468060	DFG468060	DSH468060	DNH468060	DSG468060	60	86
DS468075	-	-	DFG468075	DSH468075	DNH468075	DSG468075	75	107
DS468090	-	-	DFG468090	DSH468090	DNH468090	DSG468090	90	128
DS468125	DH468125	DM468125	-	DSH468125	DNH468125	-	125	178
-	-	-	-	-	-	-	160	228
-	-	-	-	-	-	-	200	285
-	-	-	-	-	-	-	300	428

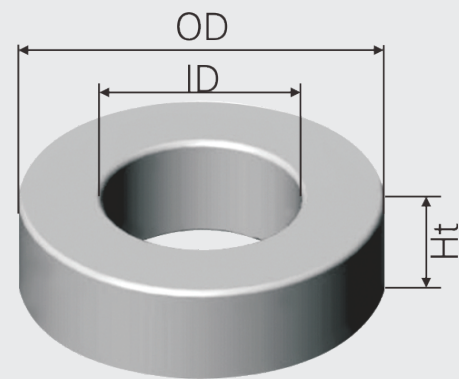
D□508



Core Dimensions			
	OD (mm)	ID (mm)	HT (mm)
Before coating	50.80 ^{+0.9} _{-0.2}	31.80 ^{+0.2} _{-0.9}	13.45 ^{+0.9} _{-0.3}
After coating	51.80 max	30.80 min	14.40 max
Core Parameter			
Ae (cm ²)	le (cm)	Ve (cm ³)	
1.251	12.73	15.93	

Cores								
Part No.							Perm.	AL
铁硅铝 Sendust	铁镍 High Flux	铁镍钼 MPP	铁硅 Ma-Flux	多元合金 Multi-Alloy			μ	nH/N ²
				DSH	DNH	DSG		
DS508026	DH508026	DM508026	DFG508026	-	-	DSG508026	26	32
DS508060	DH508060	DM508060	DFG508060	DSH508060	DNH508060	DSG508060	60	73
DS508075	-	-	DFG508075	DSH508075	DNH508075	DSG508075	75	91
DS508090	-	-	DFG508090	DSH508090	DNH508090	DSG508090	90	109
DS508125	DH508125	DM508125	-	DSH508125	DNH508125	-	125	152
-	-	-	-	-	-	-	160	195
-	-	-	-	-	-	-	200	243
-	-	-	-	-	-	-	300	364

D□508A

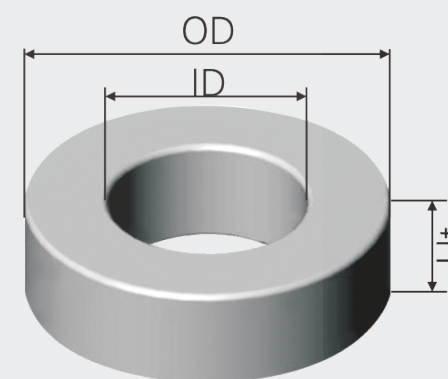


Core Dimensions			
	OD (mm)	ID (mm)	HT (mm)
Before coating	50.80 ^{+0.9} _{-0.2}	24.10 ^{+0.2} _{-0.9}	22.20 ^{+0.1} _{-0.3}
After coating	51.70 max	23.20 min	23.20 max
Core Parameter			
Ae (cm ²)	le (cm)	Ve (cm ³)	
2.83	10.7	30.281	

Cores

Part No.							Perm.	AL
铁硅铝 Sendust	铁镍 High Flux	铁镍钼 MPP	铁硅 Ma-Flux	多元合金 Multi-Alloy			μ	nH/N ²
				DSH	DNH	DSG		
DS508026	DH508026	DM508026	DFG508026	-	-	DSG508026	26	91
DS508060	DH508060	DM508060	DFG508060	DSH508060	DNH508060	DSG508060	60	205
DS508075	-	-	DFG508075	DSH508075	DNH508075	DSG508075	75	253
DS508090	-	-	DFG508090	DSH508090	DNH508090	DSG508090	90	300
DS508125	DH508125	DM508125	-	DSH508125	DNH508125	-	125	407
-	-	-	-	-	-	-	160	521
-	-	-	-	-	-	-	200	675
-	-	-	-	-	-	-	300	1012

D□571

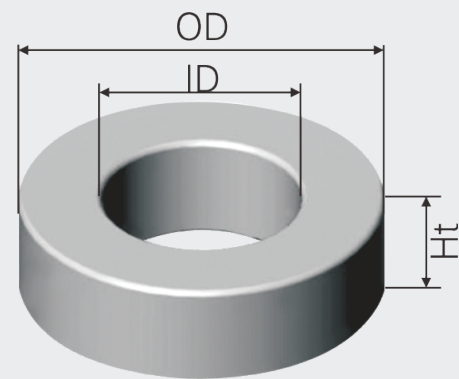


Core Dimensions			
	OD (mm)	ID (mm)	HT (mm)
Before coating	57.20 ^{+0.9} _{-0.2}	26.40 ^{+0.2} _{-0.9}	15.20 ^{+0.9} _{-0.3}
After coating	58.00 max	25.60 min	16.00 max
Core Parameter			
Ae (cm ²)	le (cm)	Ve (cm ³)	
2.29	12.5	28.62	

Cores

Part No.							Perm.	AL
铁硅铝 Sendust	铁镍 High Flux	铁镍钼 MPP	铁硅 Ma-Flux	多元合金 Multi-Alloy			μ	nH/N ²
				DSH	DNH	DSG		
DS571026	DH571026	DM571026	DFG571026	-	-	DSG571026	26	65
DS571060	DH571060	DM571060	DFG571060	DSH571060	DNH571060	DSG571060	60	138
DS571075	-	-	DFG571075	DSH571075	DNH571075	DSG571075	75	172
DS571090	-	-	DFG571090	DSH571090	DNH571090	DSG571090	90	207
DS571125	DH571125	DM571125	-	DSH571125	DNH571125	-	125	287
-	-	-	-	-	-	-	160	367
-	-	-	-	-	-	-	200	459
-	-	-	-	-	-	-	300	688

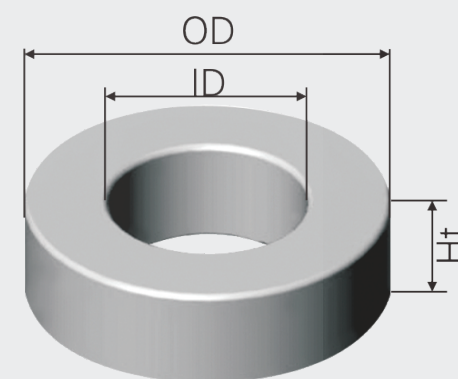
D□572



Core Dimensions			
	OD (mm)	ID (mm)	HT (mm)
Before coating	57.20 ^{+0.9} _{-0.2}	35.60 ^{+0.2} _{-0.9}	13.95 ^{+0.9} _{-0.3}
After coating	58.02 max	34.74 min	14.86 max
Core Parameter			
Ae (cm ²)	le (cm)	Ve (cm ³)	
1.444	14.3	20.65	

Cores								
Part No.							Perm.	AL
铁硅铝 Sendust	铁镍 High Flux	铁镍铝 MPP	铁硅 Ma-Flux	多元合金 Multi-Alloy			μ	nH/N ²
				DSH	DNH	DSG		
DS572026	DH572026	DM572026	DFG572026	-	-	DSG572026	26	33
DS572060	DH572060	DM572060	DFG572060	DSH572060	DNH572060	DSG572060	60	75
DS572075	-	-	DFG572075	DSH572075	DNH572075	DSG572075	75	94
DS572090	-	-	DFG572090	DSH572090	DNH572090	DSG572090	90	112
DS572125	DH572125	DM572125	-	DSH572125	DNH572125	-	125	156
-	-	-	-	-	-	-	160	200
-	-	-	-	-	-	-	200	251
-	-	-	-	-	-	-	300	376

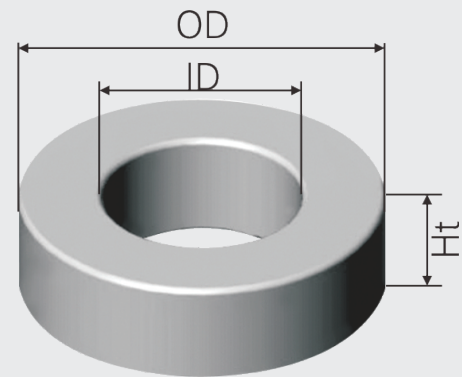
D□610



Core Dimensions			
	OD (mm)	ID (mm)	HT (mm)
Before coating	62.00 ^{+1.1} _{-0.2}	32.50 ^{+0.2} _{-1.23}	25.00 ^{+1.27} _{-0.3}
After coating	63.10 max	31.37 min	26.20 max
Core Parameter			
Ae (cm ²)	le (cm)	Ve (cm ³)	
3.675	14.37	52.81	

Cores								
Part No.							Perm.	AL
铁硅铝 Sendust	铁镍 High Flux	铁镍铝 MPP	铁硅 Ma-Flux	多元合金 Multi-Alloy			μ	nH/N ²
				DSH	DNH	DSG		
DS610026	DH610026	DM610026	DFG610026	-	-	DSG610026	26	83
DS610060	DH610060	DM610060	DFG610060	DSH610060	DNH610060	DSG610060	60	192
DS610075	-	-	DFG610075	DSH610075	DNH610075	DSG610075	75	240
DS610090	-	-	DFG610090	DSH610090	DNH610090	DSG610090	90	288
DS610125	DH610125	DM610125	-	DSH610125	DNH610125	-	125	400
-	-	-	-	-	-	-	160	512
-	-	-	-	-	-	-	200	640
-	-	-	-	-	-	-	300	960

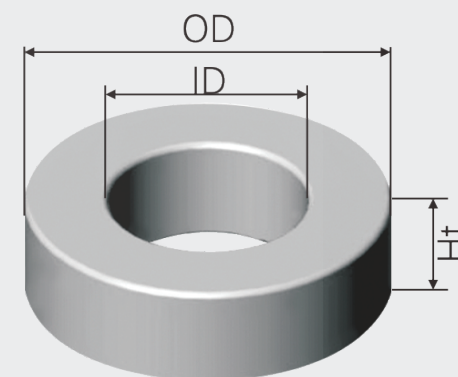
D□740



Core Dimensions			
	OD (mm)	ID (mm)	HT (mm)
Before coating	74.10 ^{+1.1} _{-0.2}	45.30 ^{+0.2} _{-1.23}	35.00 ^{+1.27} _{-0.3}
After coating	75.20 max	44.07 min	36.27 max
Core Parameter			
Ae (cm ²)	le (cm)	Ve (cm ³)	
5.04	18.38	92.64	

Cores								
Part No.							Perm.	AL
铁硅铝 Sendust	铁镍 High Flux	铁镍钼 MPP	铁硅 Ma-Flux	多元合金 Multi-Alloy			μ	nH/N ²
				DSH	DNH	DSG		
DS740026	DH740026	DM740026	DFG740026	-	-	DSG740026	26	89
DS740060	DH740060	DM740060	DFG740060	DSH740060	DNH740060	DSG740060	60	206
DS740075	-	-	DFG740075	DSH740075	DNH740075	DSG740075	75	257
DS740090	-	-	DFG740090	DSH740090	DNH740090	DSG740090	90	309
DS740125	DH740125	DM740125	-	DSH740125	DNH740125	-	125	429
-	-	-	-	-	-	-	160	549
-	-	-	-	-	-	-	200	685
-	-	-	-	-	-	-	300	1028

D□778



Core Dimensions			
	OD (mm)	ID (mm)	HT (mm)
Before coating	77.8 ^{+1.1} _{-0.2}	49.23 ^{+0.2} _{-1.23}	12.7 ^{+1.27} _{-0.3}
After coating	78.9 max	48.0 min	13.97 max
Core Parameter			
Ae (cm ²)	le (cm)	Ve (cm ³)	
1.77	20	34.77	

Cores								
Part No.							Perm.	AL
铁硅铝 Sendust	铁镍 High Flux	铁镍钼 MPP	铁硅 Ma-Flux	多元合金 Multi-Alloy			μ	nH/N ²
				DSH	DNH	DSG		
DS778026	DH778026	DM778026	DFG778026	-	-	DSG778026	26	30
DS778060	DH778060	DM778060	DFG778060	DSH778060	DNH778060	DSG778060	60	68
DS778075	-	-	DFG778075	DSH778075	DNH778075	DSG778075	75	85
DS778090	-	-	DFG778090	DSH778090	DNH778090	DSG778090	90	102
DS778125	DH778125	DM778125	-	DSH778125	DNH778125	-	125	142
-	-	-	-	-	-	-	160	182
-	-	-	-	-	-	-	200	227
-	-	-	-	-	-	-	300	340

异形磁心 Special-shaped cores

DQ CORES

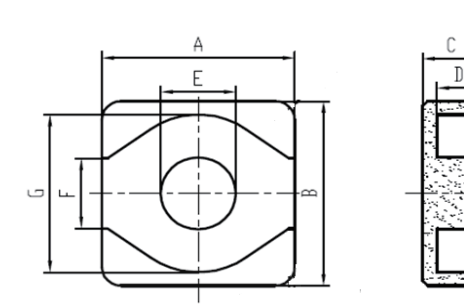
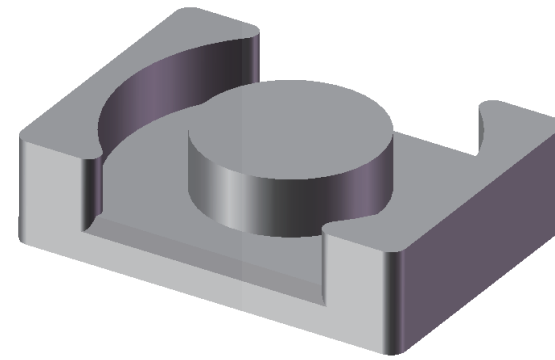
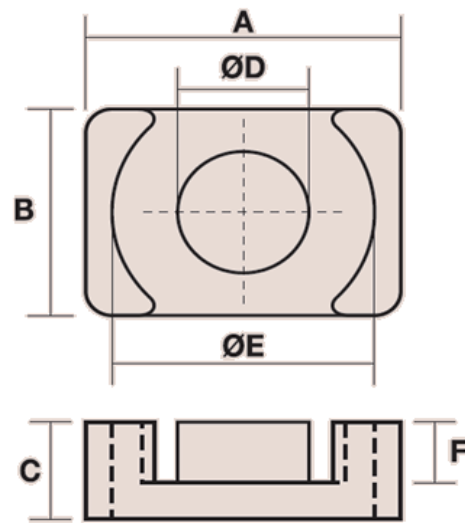


Figure 1

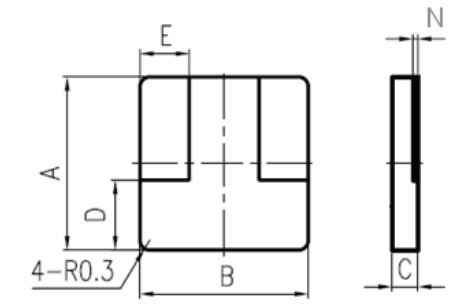


Figure B

Type		Dimension (mm)							
		A	B	C	φD	φE	F	G	N
DQ6.5AC	E	6.5±0.15	6.5±0.15	2.7±0.10	1.75±0.10	2.7±0.10	2.3±0.20	5.2±0.15	-
	I	6.5±0.15	6.5±0.15	0.95±0.10	2.5±0.20	1.9±0.25	6.25±0.25	-	0.15±0.05
DQ7.6	E	7.5±0.10	7.4±0.10	3.7±0.10	2.8±0.10	3.1±0.10	2.85±0.10	5.2±0.15	-
	I	7.4±0.10	7.5±0.20	1.0±0.10	2.35±0.10	2.05±0.10	7.0±0.10	-	0.1±0.10
DQ12.8F	E	12.8±0.28	12.8±0.28	4.4±0.10	3.1±0.10	4.8±0.15	4.9±0.25	10.2±0.15	-
	I	12.8±0.28	12.1±0.30	1.4±0.10	4.0±0.25	3.3±0.25	-	-	0.35±0.05

Type	Dimension (mm)						Le cm	Ae cm ²	Ve cm ³	AL (nH/N ²)		
	A	B	C	φD	φE	F				026 μ	040 μ	060 μ
DQ25A	25.0±0.3	14.0±0.2	4.3±0.15	8.8±0.2	21.0±0.3	2.0±0.15	3.120	0.638	1.966	50	80	120
DQ26.5A	26.5±0.3	19.0±0.2	6.85±0.15	12.0±0.2	22.6±0.3	3.85±0.2	4.340	1.198	5.199	112	170	225
DQ26.5B	26.5±0.3	19.0±0.2	5.10±0.2	12.0±0.2	22.6±0.3	1.8±0.15	3.470	1.198	4.157	112	170	225
DQ26.5C	26.5±0.3	19.0±0.2	10.1±0.2	12.0±0.2	22.6±0.3	6.8±0.3	4.110	1.198	4.924	95	145	215
DQ32A	32.0±0.4	22.0±0.3	10.3±0.2	13.5±0.2	27.6±0.3	6.6±0.3	6.030	1.523	9.184	83	127	190
DQ32B	32.0±0.4	22.0±0.3	15.2±0.2	13.5±0.2	27.6±0.3	11.5±0.3	7.990	1.523	12.170	62	96	144
DQ32B1	32.0±0.4	22.0±0.3	11.2±0.2	13.5±0.2	27.6±0.3	7.5±0.15	4.890	1.523	7.447	100	155	230
DQ36A	36.0±0.5	26.0±0.3	9.1±0.3	14.4±0.2	32.0±0.3	5.1±0.3	5.780	1.980	11.450	110	170	255
DQ36A1	36.0±0.5	26.0±0.3	10.0±0.3	14.4±0.2	32.0±0.3	6.0±0.3	6.150	1.980	12.200	105	160	240
DQ41.5A	41.5±0.5	28.0±0.3	19.9±0.3	14.9±0.2	36.5±0.3	15.0±0.3	1.997	11.520	23.000	57	87	131
DQ50A	50.0±0.5	32.0±0.3	25.0±0.3	20.±0.2	44.0±0.3	19.5±0.3	3.141	13.340	41.900	77	118	178
DQ65A	65.0±0.5	42.0±0.3	30.0±0.3	26.0±0.2	57.2±0.3	22.8±0.3	5.309	16.530	87.760	105	161	242

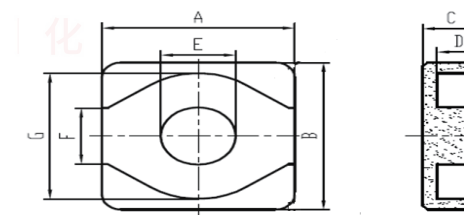


Figure 1

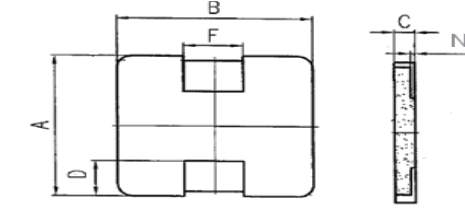
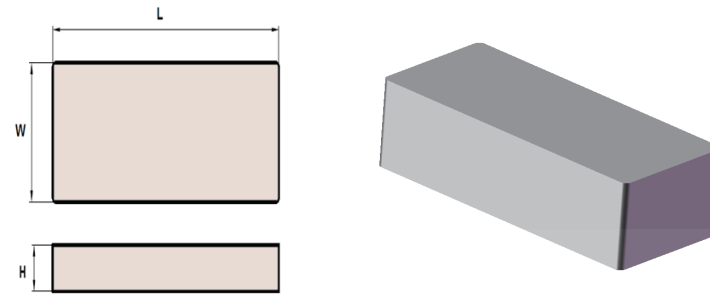


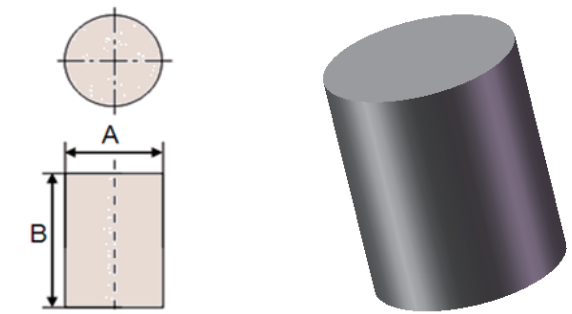
Figure C

Type		Dimension (mm)							
		A	B	C	φD	φE	F	G	N
DQ6.5B	E	6.5±0.10	6.5±0.10	2.1±0.10	1.4 min	2.5 ±0.10	3.2±0.15	5.55±0.10	-
	I	6.5±0.10	6.5±0.10	0.7±0.10	1.6±0.15	-	1.8±0.15	-	0.10±0.05
DQ10A	E	10.0±0.25	10.0±0.25	2.6±0.10	1.5±0.10	4.2 ±0.10	4.0±0.15	8.20±0.15	-
	I	10.0±0.25	10.0±0.25	1.1±0.10	2.5±0.10	-	3.0±0.15	0.25±0.05	-
DQ12.7	E	12.7±0.23	12.7±0.23	4.8±0.10	3.6±0.10	4.8 ±0.15	4.2±0.15	10.40±0.15	-
	I	12.7±0.23	12.7±0.23	1.2±0.10	3.3±0.15	-	4.2±0.15	-	0.25±0.05

DFK CORES



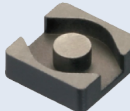

DP CORES



Type	Dimensions (mm)		
	L	W	H
DFK 10X3X0.65A	10.0±0.10	3.0±0.05	0.65±0.025
DFK 10X3X0.7A	10.0±0.10	3.0±0.10	0.7±0.10
DFK 17X9X6A	17.0±0.50	9.0±0.50	6.0±0.10
DFK 17X9X10A	17.0±0.50	9.0±0.50	10.0±0.10
DFK 24X10.6X1.25A	23.8±0.20	10.4±0.10	1.0±0.10
DFK 34X3.9X3.7A	34.0±0.40	3.9±0.15	3.7±0.15
DFK 34X32X10A	34.0±0.30	32.0±0.30	10.0±0.20
DFK 34X32X9.3A	34.0±0.30	32.0±0.30	9.3±0.20
DFK 40×37×15A	40.0±0.25	37.0±0.25	15.0±0.25
DFK 49.5×37×15A	49.5±0.35	37.0±0.30	15.0±0.25
DFK 60×30×12A	60.0±0.40	30.0±0.40	12.0±0.40
DFK 60×30×15	60.0±0.40	30.0±0.40	15.0±0.20
DFK 60×30×20A	60.0±0.40	30.0±0.40	20.0±0.30
DFK 60.4×30.2×15A	60.4±0.40	30.2±0.40	15.0±0.20
DFK 70×20×10A	70.7±0.50	20.0±0.30	10.0±0.30
DFK 70×20×20A	70.7±0.50	20.5±0.30	20.0±0.30
DFK 70×20×20A1	70.7±0.50	20.5±0.30	20.0±0.30
DFK 70×30×20	70.0±0.40	30.0±0.50	20.0±0.40
DFK 80×20×20A	80.7±0.50	20.5±0.30	20.0±0.30
DFK 80×30×10A	80.0±0.50	30.0±0.30	10.0±0.30
DFK 80×30×20A	80.0±0.50	30.0±0.30	20.0±0.30
DFK 80×30×30A	80.0±0.50	30.0±0.30	30.0±0.30
DFK 80.5×30.3×20A	80.5±0.50	30.3±0.30	20.0±0.40

Type	Dimensions (mm)	
	A	B
DP17X15A	17.0±0.30	15.0±0.30
DP17X20A	17.0±0.30	20.0±0.30
DP17X25A	17.0±0.30	25.0±0.30
DP20X15A	20.0±0.30	15.0±0.30
DP20X20A	20.0±0.30	20.0±0.30
DP20X25A	20.0±0.30	25.0±0.30
DP24.1X18A	24.1 ^{+0.15} _{-0.4}	18.0±0.30
DP24.1X21A	24.1 ^{+0.15} _{-0.4}	21.0±0.30
DP24X15A	24.0±0.30	15.0±0.30
DP24X20A	24.0±0.30	20.0±0.30
DP24X25A	24.0±0.30	25.0±0.30
DP28X20A	28.0±0.30	20.0±0.30
DP28X25A	28.0±0.30	25.0±0.30
DP30X20A	30.0±0.30	20.0±0.30
DP30X20A	30.0±0.30	25.0±0.30
DP30X27.5A	30.0±0.30	27.5±0.30
DP35X20A	35.0±0.30	20.0±0.30
DP35X25A	35.0±0.30	25.0±0.30
DP40X25A	40.0±0.70	25.0±0.70
DP50X20B	50.0±0.30	20.0±0.30
DP50X30B	50.0±0.30	30.0±0.30
DP60X25A	60 Max	25.0±0.50

异形磁心形状对应材料可行性参考表 Reference table for material feasibility of cores shape

Material	Perm.	DFK	DE	DQ	DP	DU	TA
							
DS (Sendust)	026~060	○	○	○	○	○	○
	75	○	○	○	○	-	○
	125	○	○	-	○	○	○
DFG (Ma-Flux)	026~060	○	○	○	○	○	○
	75	○	-	○	-	-	-
	90	○	-	○	-	-	-
DH (High Flux)	026~060	○	○	○	○	○	○
	125	○	○	○	○	○	○
DSH/DNH (Multi-alloy)	26	○	○	○	-	-	-
	60	○	○	○	-	-	-

东磁磁粉心同行规格对比表 DMEGC powder cores cross reference table

Part No.						OD (mm)	ID (mm)	HT (mm)	Perm.		AL
DMEGC	Arnold	Mag-Inc	Dongbu	CSC	POCO				μ	nH/N ²	
DS063026	MS-025026-8	/	S025-010A	/	/	6.35	2.79	2.79	26	10	
DS063060	MS-025060-8	77021	S025-024A	CS063060	/				60	24	
DS063075	MS-025075-8	77825	S025-030A	CS063075	/				75	30	
DS063090	MS-025090-8	77824	S025-036A	CS063090	/				90	36	
DS063125	MS-025125-8	77020	S025-050A	CS063125	/				125	50	
DS068026	/	/	/	/	/	6.86	3.96	5.08	26	14	
DS068060	/	77411	/	CS068060	/				60	33	
DS068075	/	77415	/	CS068075	/				75	42	
DS068090	/	77414	/	CS068090	/				90	50	
DS068125	/	77410	/	CS068125	/				125	70	
DS078026	MS-031026-8	/	S031-011A	/	/	7.87	3.96	3.18	26	11	
DS078060	MS-031060-8	77031	S031-025A	CS078060	/				60	25	
DS078075	MS-031075-8	77835	S031-031A	CS078075	/				75	31	
DS078090	MS-031090-8	77834	S031-037A	CS078090	/				90	37	
DS078125	MS-031125-8	77030	S031-052A	CS078125	/				125	52	
DS097026B	MS-038026-8	/	S038-014A	/	/	9.65	4.78	3.96	26	14	
DS097060B	MS-038060-8	77291	S038-032A	CS097060	/				60	32	
DS097075B	MS-038075-8	77295	S038-040A	CS097075	/				75	40	
DS097090B	MS-038090-8	77294	S038-048A	CS097090	/				90	48	
DS097125B	MS-038125-8	77290	S038-066A	CS097125	/				125	66	
DS097026	MS-039026-8	/	S039-011A	/	/	9.65	4.78	3.18	26	11	
DS097060	MS-039060-8	77281	S039-025A	CS096060	/				60	25	
DS097075	MS-039075-8	77885	S039-032A	CS096075	/				75	32	
DS097090	MS-039090-8	77884	S039-039A	CS096090	/				90	38	
DS097125	MS-039125-8	77280	S039-053A	CS096125	/				125	53	



Part No.						OD (mm)	ID (mm)	HT (mm)	Perm.		AL	
DMEGC	Arnold	Mag-Inc	Dongbu	CSC	POCO				μ	nH/N ²		
DS102026	MS-040026-8	/	S040-014A	/	/	10.20	5.08	3.96	26	14		
DS102060	MS-040060-8	77041	S040-032A	CS102060	/				60	32		
DS102075	MS-040075-8	77845	S040-040A	CS102075	/				75	40		
DS102090	MS-040090-8	77844	S040-048A	CS102090	/				90	48		
DS102125	MS-040125-8	77040	S040-066A	CS102125	/				125	66		
DS112026	MS-044026-8	/	S044-011A	CS112026	/	11.20	6.35	3.96	26	11		
DS112060	MS-044060-8	77131	S044-026A	CS112060	/				60	26		
DS112075	MS-044075-8	77335	S044-032A	CS112075	/				75	32		
DS112090	MS-044090-8	77334	S044-038A	CS112090	/				90	38		
DS112125	MS-044125-8	77130	S044-053A	CS112125	/				125	53		
DS127026	MS-050026-2	/	S050-012A	CS127026	NPS050026	12.70	7.62	4.75	26	12		
DS127060	MS-050060-2	77051	S050-027A	CS127060	NPS050060				60	27		
DS127075	MS-050075-2	77055	S050-034A	CS127075	NPS050075				75	34		
DS127090	MS-050090-2	77054	S050-040A	CS127090	NPS050090				90	40		
DS127125	MS-050125-2	77050	S050-056A	CS127125	NPS050125				125	56		
DS166026	MS-065026-2	/	S065-015A	CS166026	NPS065026	16.50	10.20	6.35	26	15		
DS166060	MS-065060-2	77121	S065-035A	CS166060	NPS065060				60	35		
DS166075	MS-065075-2	77225	S065-043A	CS166075	NPS065075				75	43		
DS166090	MS-065090-2	77224	S065-052A	CS166090	NPS065090				90	52		
DS166125	MS-065125-2	77120	S065-072A	CS166125	NPS065125				125	72		
DS173026	MS-068026-2	/	S068-019A	CS172026	NPS068026	17.30	9.65	6.35	26	19		
DS173060	MS-068060-2	77381	S068-043A	CS172060	NPS068060				60	43		
DS173075	MS-068075-2	77385	S068-053A	CS172075	NPS068075				75	53		
DS173090	MS-068090-2	77384	S068-064A	CS172090	NPS068090				90	64		
DS173125	MS-068125-2	77380	S068-089A	CS172125	NPS068125				125	89		
DS203026	MS-080026-2	/	S080-014A	CS203026	NPS080026	20.30	12.70	6.35	26	14		
DS203060	MS-080060-2	77848	S080-032A	CS203060	NPS080060				60	32		
DS203075	MS-080075-2	77211	S080-041A	CS203075	NPS080075				75	41		
DS203090	MS-080090-2	77210	S080-049A	CS203090	NPS080090				90	49		
DS203125	MS-080125-2	77206	S080-068A	CS203125	NPS080125				125	68		

Part No.						OD (mm)	ID (mm)	HT (mm)	Perm.		AL	
DMEGC	Arnold	Mag-Inc	Dongbu	CSC	POCO				μ	nH/N ²		
DS229026	MS-090026-2	77312	S090-019A	CS229026	NPS090026	22.90	14.07	7.62	26	19		
DS229060	MS-090060-2	77059	S090-043A	CS229060	NPS090060				60	43		
DS229075	MS-090075-2	77315	S090-054A	CS229075	NPS090075				75	54		
DS229090	MS-090090-2	77314	S090-065A	CS229090	NPS090090				90	65		
DS229125	MS-090125-2	77310	S090-090A	CS229125	NPS090125				125	90		
DS236026	MS-092026-2	77352	S092-022A	CS234026	NPS092026	23.60	14.40	8.89	26	22		
DS236060	MS-092060-2	77351	S092-051A	CS234060	NPS092060				60	51		
DS236075	MS-092075-2	77355	S092-063A	CS234075	NPS092075				75	63		
DS236090	MS-092090-2	77354	S092-076A	CS234090	NPS092090				90	76		
DS236125	MS-092125-2	77350	S092-105A	CS234125	NPS092125				125	105		
DS270026	MS-106026-2	77932	S106-032A	CS270026	NPS106026	26.90	14.70	11.20	26	32		
DS270060	MS-106060-2	77894	S106-075A	CS270060	NPS106060				60	75		
DS270075	MS-106075-2	77935	S106-094A	CS270075	NPS106075				75	94		
DS270090	MS-106090-2	77934	S106-113A	CS270090	NPS106090				90	113		
DS270125	MS-106125-2	77930	S106-157A	CS270125	NPS106125				125	157		
DS330026	MS-130026-2	77550	S130-028A	CS330026	NPS130026	33.00	19.90	10.70	26	28		
DS330060	MS-130060-2	77071	S130-061A	CS330060	NPS130060				60	61		
DS330075	MS-130075-2	77553	S130-076A	CS330075	NPS130075				75	76		
DS330090	MS-130090-2	77552	S130-091A	CS330090	NPS130090				90	91		
DS330125	MS-130125-2	77548	S130-127A	CS330125	NPS130125				125	127		
DS358026	MS-141026-2	77326	S141-024A	CS358026	NPS141026	35.80	22.40	10.50	26	24		
DS358060	MS-141060-2	77076	S141-056A	CS358060	NPS141060				60	56		
DS358075	MS-141075-2	77329	S141-070A	CS358075	NPS141075				75	70		
DS358090	MS-141090-2	77328	S141-084A	CS358090	NPS141090				90	84		
DS358125	MS-141125-2	77324	S141-117A	CS358125	NPS141125				125	117		
DS400026	MS-157026-2	77256	S157-035A	CS400026	NPS157026	39.90	24.10	14.50	26	35		
DS400060	MS-157060-2	77083	S157-081A	CS400060	NPS157060				60	81		
DS400075	MS-157075-2	77259	S157-101A	CS400075	NPS157075				75	101		
DS400090	MS-157090-2	77258	S157-121A	CS400090	NPS157090				90	121		
DS400125	MS-157125-2	77254	S157-168A	CS400125	NPS157125				125	168		



Part No.						OD (mm)	ID (mm)	HT (mm)	Perm.		AL	
DMEGC	Arnold	Mag-Inc	Dongbu	CSC	POCO				μ	nH/N ²		
DS467026	MS-184026-2	77440	S184-059A	CS467026	NPS184026	46.70	24.10	18.00	26	59		
DS467060	MS-184060-2	77439	S184-135A	CS467060	NPS184060				60	135		
DS467075	MS-184075-2	77443	S184-169A	CS467075	NPS184075				75	169		
DS467090	MS-184090-2	77442	S184-202A	CS467090	NPS184090				90	202		
DS467125	MS-184125-2	77438	S184-281A	CS467125	NPS184125				125	281		
DS468026	MS-185026-2	77091	S185-037A	CS468026	NPS185026				26	37		
DS468060	MS-185060-2	77090	S185-086A	CS468060	NPS185060	60	86					
DS468075	MS-185075-2	77094	S185-107A	CS468075	NPS185075	75	107					
DS468090	MS-185090-2	77093	S185-128A	CS468090	NPS185090	90	128					
DS468125	MS-185125-2	77089	S185-178A	CS468125	NPS185125	125	178					
DS508026	MS-200026-2	77717	S200-032A	CS508026	NPS200026	50.80	31.80	13.50	26	32		
DS508060	MS-200060-2	77716	S200-073A	CS508060	NPS200060				60	73		
DS508075	MS-200075-2	77720	S200-091A	CS508075	NPS200075				75	91		
DS508090	MS-200090-2	77719	S200-109A	CS508090	NPS200090				90	109		
DS508125	MS-200125-2	77715	S200-152A	CS508125	NPS200125				125	152		
DS572026	MS-225026-2	77111	S225-033A	CS572026	NPS225026				26	33		
DS572060	MS-225060-2	77110	S225-075A	CS572060	NPS225060	60	75					
DS572075	MS-225075-2	77214	S225-094A	CS572075	NPS225075	75	94					
DS572090	MS-225090-2	77213	S225-112A	CS572090	NPS225090	90	112					
DS572125	MS-225125-2	77109	S225-156A	CS572125	NPS225125	125	156					
DS571026	MS-226026-2	77191	S225-060A	CS571026	NPS226026	57.20	26.40	15.20	26	60		
DS571060	MS-226060-2	77192	S225-138A	CS571060	NPS226060				60	138		
DS571075	MS-226075-2	77193	S225-172A	CS571075	NPS226075				75	172		
DS571090	MS-226090-2	77194	S225-207A	CS571090	NPS226090				90	207		
DS571125	MS-226125-2	77195	S225-287A	CS571125	NPS226125				125	287		
DS610026	/	77615	S244-084A	CS610026	NPS250026				62.00	32.60	25.00	26
DS610060	/	77617	S244-193A	CS610060	NPS250060	60	192					
DS610075	/	77618	S244-241A	CS610075	NPS250075	75	240					
DS610090	/	77619	S244-289A	CS610090	NPS250090	90	288					
DS610125	/	/	S244-402A	CS610125	NPS250125	125	400					

Part No.						OD (mm)	ID (mm)	HT (mm)	Perm.		AL	
DMEGC	Arnold	Mag-Inc	Dongbu	CSC	POCO				μ	nH/N ²		
DS740026	/	77735	/	CS740026	/	74.10	45.30	35.00	26	89		
DS740060	/	77737	/	CS740060	/				60	206		
DS740075	/	77738	/	CS740075	/				75	257		
DS740090	/	77739	/	CS740090	/				90	309		
DS740125	/	/	/	CS740125	/				125	429		
DS778026	MS-301026-2	77908	S301-037A	CS778026	NPS306026				77.80	49.20	15.90	26
DS778060	MS-301060-2	77907	S301-085A	CS778060	NPS306060	60	85					
DS778075	MS-301075-2	/	S301-107A	CS778075	NPS306075	75	107					
DS778090	MS-301090-2	/	S301-128A	CS778090	NPS306090	90	128					
DS778125	MS-301125-2	77906	S301-178A	CS778125	NPS306125	125	178					



软磁铁粉心系列产品简介 ·

铁粉心是一种软磁材料。是由铁粉和绝缘剂共同组成，铁粉经绝缘处理后，以压制，热处理等工序后制成，铁粉心内部均匀分布的气隙是它的主要特点。

铁粉心优点如下：

高饱和磁感应强度，通常可以达到10000高斯以上。

规格齐全，磁导率可以从6达到100，可以满足不同的使用要求。

使用频率范围宽，可以从几千赫兹到上百兆赫兹。

优异的直流叠加特性。

产品形状的多样性，包括环形，E型，U形，棒形，SMD形等复杂形状的磁心。

铁粉心可以在-55~125℃的范围内正常工作。

基于以上的特点，铁粉心被广泛地用于开关电源输出电感，在线噪声滤波器，PFC电感，扼流圈，EMI/RFI用途。铁粉心作为一种软磁材料被广泛地应用于通信，电子，仪器仪表，家电等领域。

环形铁心以环氧树脂包覆，涂层在工频下最小介电强度为600V。

SOFT IRON POWDER CORE SERIES INTRODUCTION ·

Iron powder core is a kind of soft magnetic material which is composed of iron powder and insulating material. After insulating treatment, the iron powder is pressed into required shape and size and goes through heating, and coating sometimes. The evenly distributed gap inside the iron powder core is the main feature.

Advantages of iron powder core:

High Bs reach up to10000 Gauss.

Permeability range from 6 to 100

Wide working frequency from thousands Hz to hundreds Mega Hz.

Excellent DC bias performance

In various shapes of toroidal, E shape, U shape, rod shape, SMD and etc.

Working temperature basically can be from -55~125℃

Based on above features, iron powder core are widely used in power switching inductor, online noise filter, PFC inductor, choke, EMI/RFI application and etc.

The toroidal cores are coated with Epoxy coating. The coating has a hi-pot of 600 voltages.

材料特性表 · General Material performance

材料代号 DMEGC MIX NO	参考磁导率 (μ _e) Reference Permeability	T温度系数(ppm/°C) Temperature Stability	磁环色码 Toroidal Color Code
-2	10	95	Red/Gray
-8	35	255	Yellow/Red
-18	55	385	Green/Red
-26	75	825	Yellow/White
-28	22	415	Gray/Green
-33	33	635	Gray/Yellow
-34	33	565	Gray/Blue
-35	33	665	Yellow/Gray
-38	85	955	Gray/Black
-40	60	950	Green/Yellow
-52	75	650	Green/Blue
-118	35	560	Black

尺寸公差 (含涂层) · Dimensional Tolerance (Includes coating)

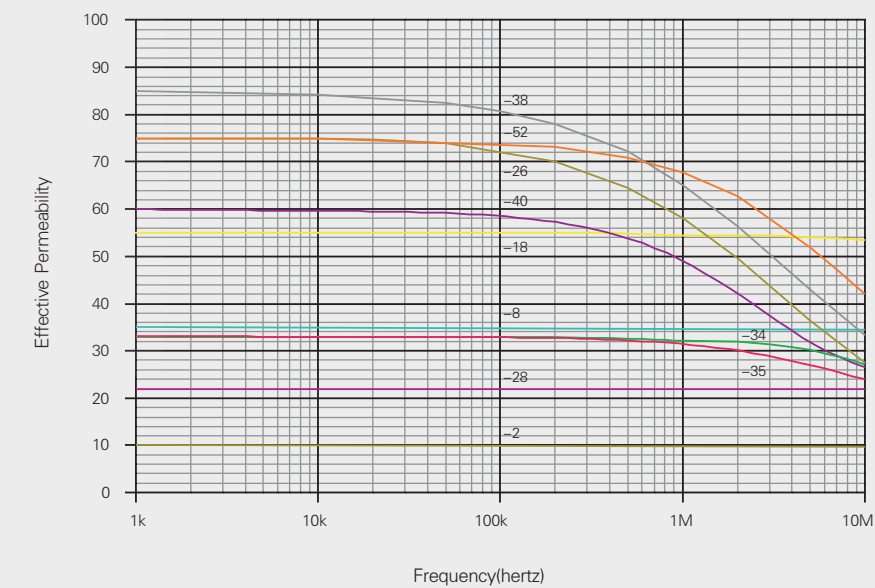
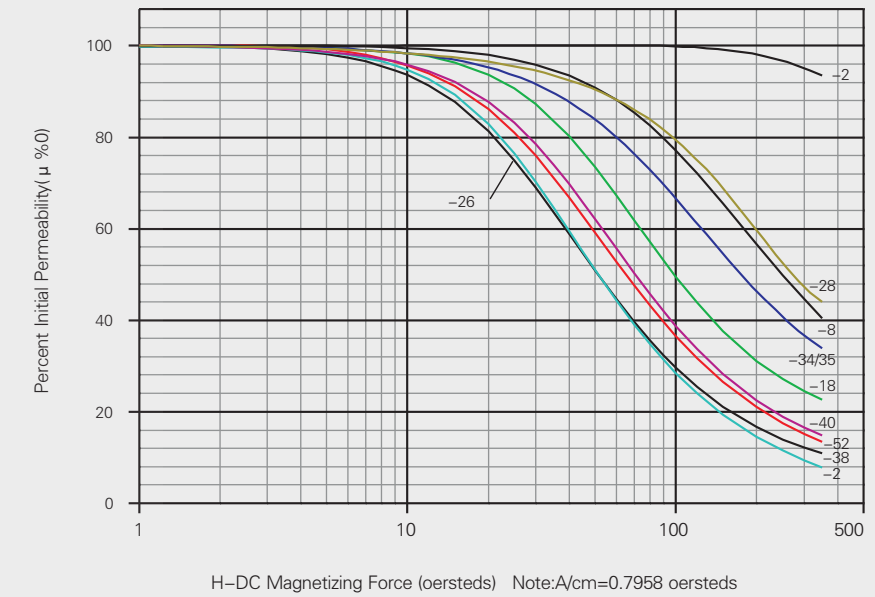
Toroids		OD(mm)	ID(mm)	Ht(mm)
DT14~DT72		± 0.50	± 0.50	± 0.50
DT80~DT141		± 0.50	± 0.50	± 0.50
DT150~DT225		± 0.64	± 0.64	± 0.76
DT249~DT400		± 0.76	± 0.76	± 0.76
DT520~DT650		± 1.27	± 1.27	± 1.27

E Core	A(mm)	B(mm)	C(mm)	D(mm)	F(mm)	G(mm)
DE49~DE118	± 0.25	± 0.25	± 0.13	± 0.18	± 0.13	± 0.18
DE125~DE162	± 0.38	± 0.38	± 0.18	± 0.25	± 0.18	± 0.25
DE168~DE225	± 0.38	± 0.38	± 0.25	± 0.50	± 0.38	± 0.50
DE305~DE450	± 0.76	± 0.76	± 0.38	± 0.50	± 0.38	± 0.50

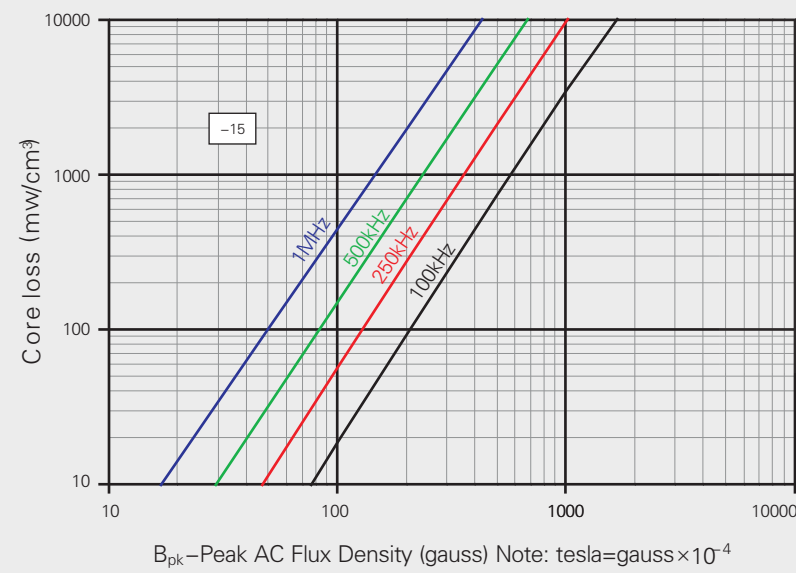
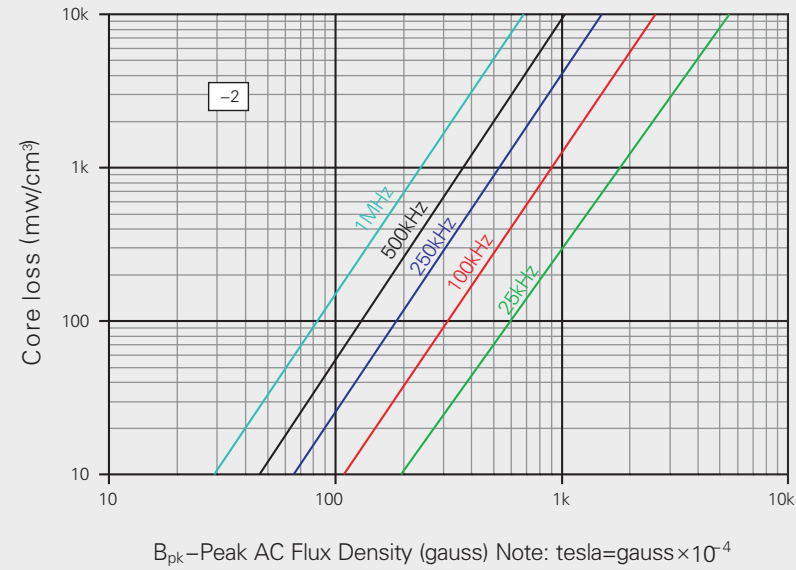
电感公差 · Inductance tolerance

Material	-2、-6、-7、-10、-17	-1、-3、-8、-15、-18、-26、-28、-33、-34、-35、-38、-40、-52
Tolerance	± 5%	± 10%

材料特性曲线 · Material characteristics & curve

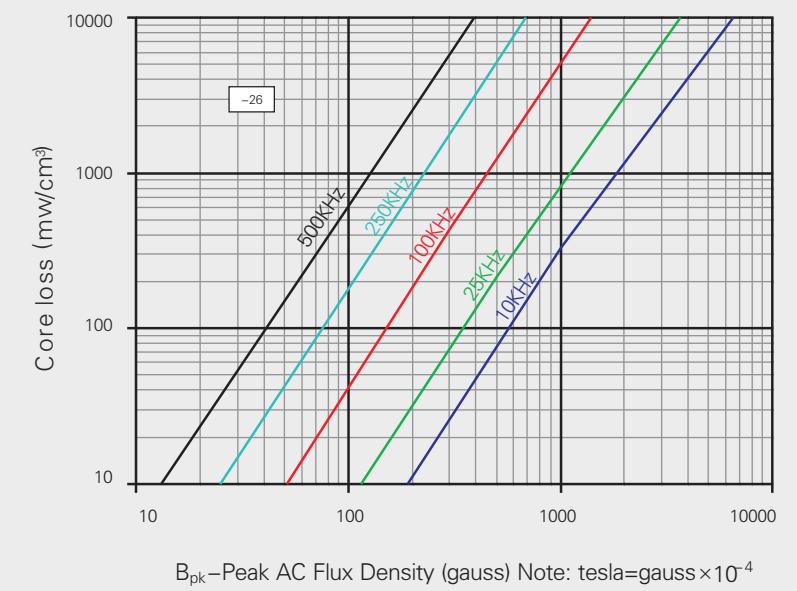
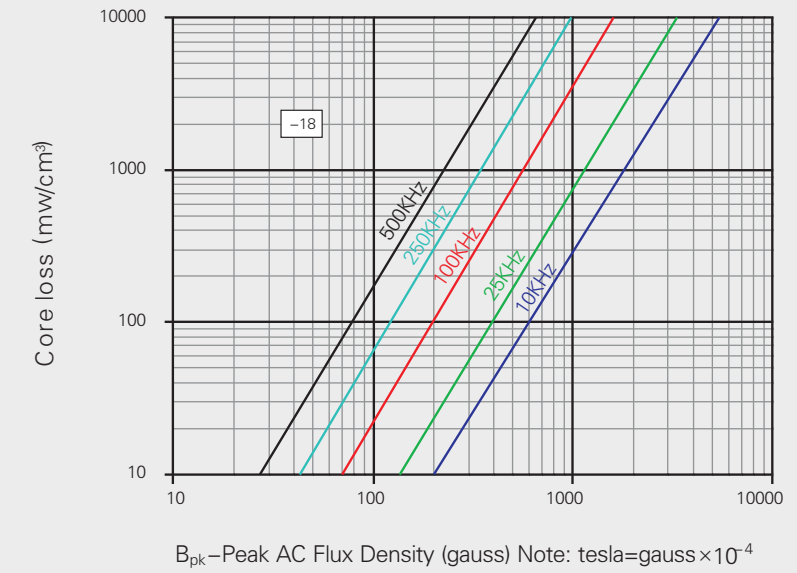


材料特性曲线 · Material characteristics & curve

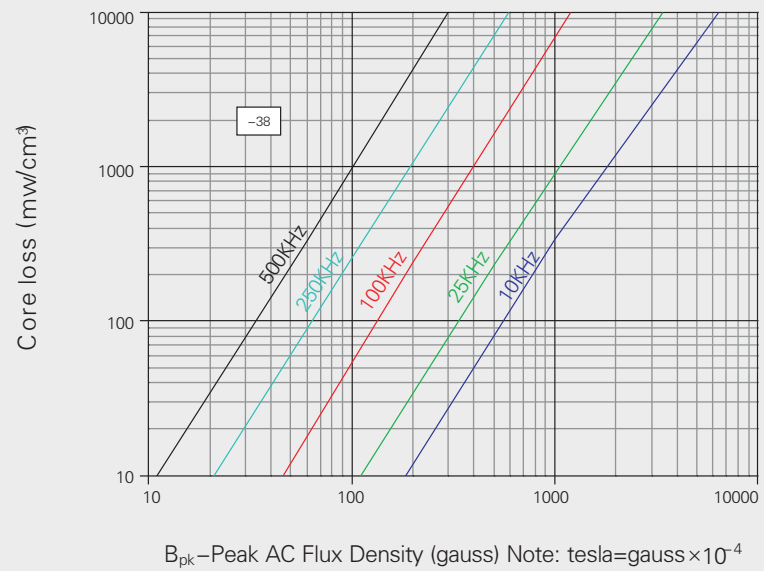
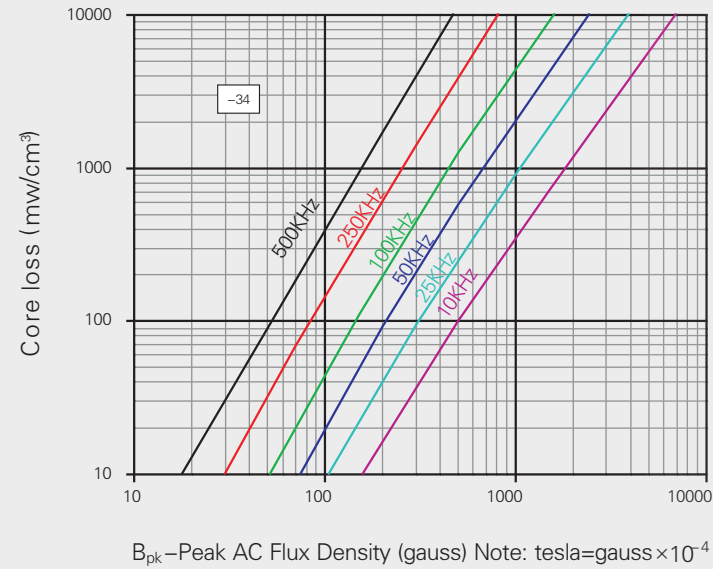


SOLEARN
横 | 店 | 竖 | 人 | 文 | 化

材料特性曲线 · Material characteristics & curve

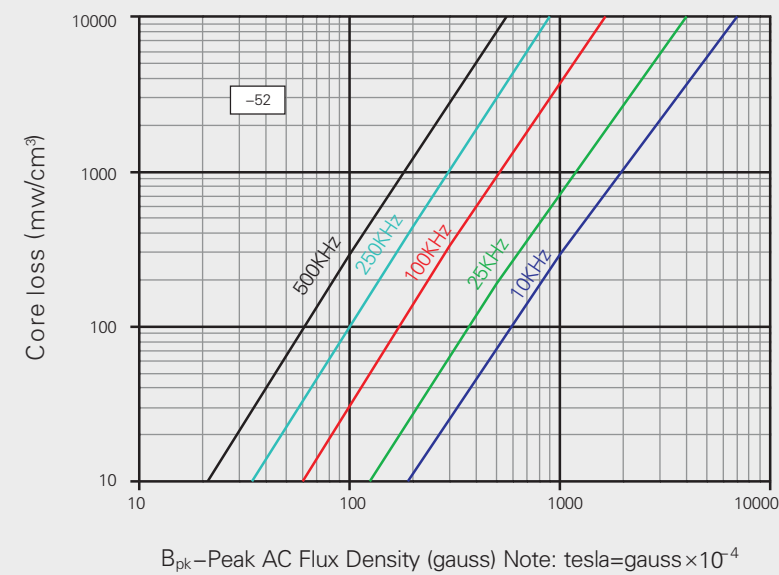
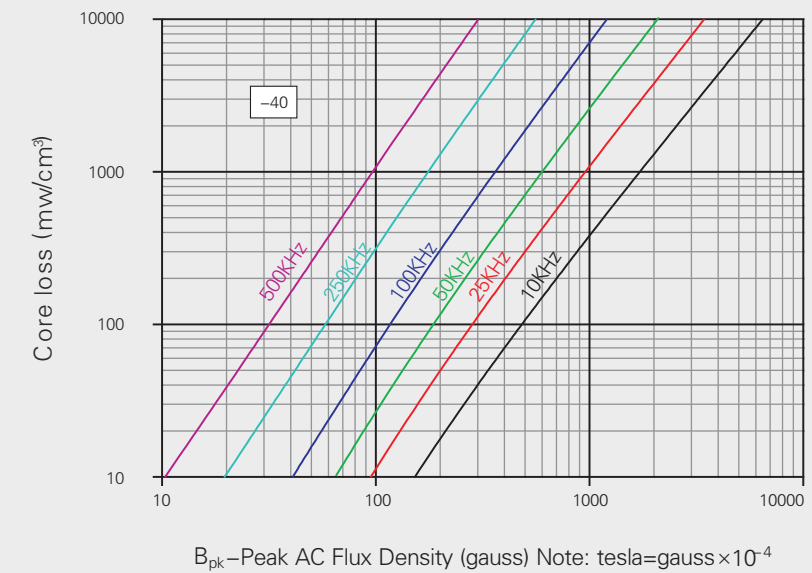


材料特性曲线 · Material characteristics & curve

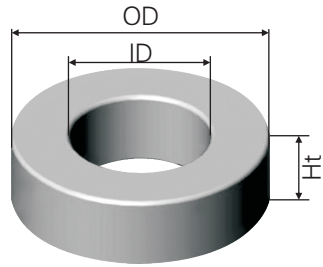


SOLEARN
横 | 店 | 竖 | 人 | 文 | 化

材料特性曲线 · Material characteristics & curve



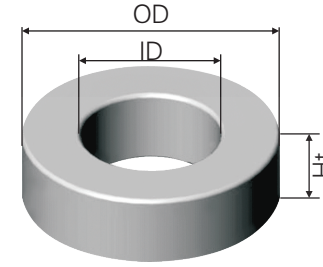
铁粉芯产品尺寸目录 • Iron Powder Core Product Size Catalog



DT 106 -26 A
 Letter Indicates Alternate Height
 DMEGC Material No.
 OD in 100th inches
 "T" For Toroid

Part No.	AL(nH/N ²)	OD(mm)	ID(mm)	Ht(mm)	le(cm)	Ae(cm ²)	Ve(cm ³)
DT14-26A	12.5	3.43	1.70	1.52	0.810	0.012	0.0098
DT14-52A	11.5						
DT16-2	2.2	4.06	1.98	1.52	0.930	0.015	0.014
DT16-8	6.0						
DT16-18	9.5						
DT16-26	14.5						
DT16-40	12.5						
DT16-52	13.5						
DT20-2	2.5						
DT20-8	7.8						
DT20-18	13.0						
DT20-26	18.5						
DT20-40	16.0						
DT20-52	17.5						
DT25-2	3.4	6.48	3.05	2.44	1.50	0.037	0.055
DT25-8	10.0						
DT25-18	17.0						
DT25-26	24.5						
DT25-40	20.5						
DT25-52	23.0						
DT25-26B	34.0	6.48	3.05	3.25	1.50	0.049	0.074
DT25-52C	16.7	6.48	3.05	1.79	1.50	0.027	0.041
DT25-52F	33.0	6.48	3.05	3.17	1.50	0.048	0.073
DT26-8	24.0	6.73	2.67	4.83	1.47	0.090	0.133
DT26-18	41.5						
DT26-26	57.0						
DT26-52	56.0						

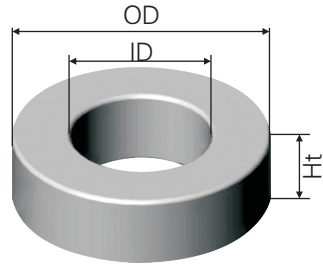
铁粉芯产品尺寸目录 • Iron Powder Core Product Size Catalog



DT 106 -26 A
 Letter Indicates Alternate Height
 DMEGC Material No.
 OD in 100th inches
 "T" For Toroid

Part No.	AL(nH/N ²)	OD(mm)	ID(mm)	Ht(mm)	le(cm)	Ae(cm ²)	Ve(cm ³)						
DT26-8A	19.0	6.73	2.67	3.90	1.47	0.073	0.107						
DT26-18A	33.5												
DT26-26A	45.0												
DT27-2	3.3	7.11	3.84	3.25	1.71	0.047	0.080						
DT27-8	11.5												
DT37-18	19.0	9.53	5.21	3.25	2.31	0.064	0.147						
DT37-26	28.5												
DT37-40	24.5												
DT37-52	26.0												
DT37-52B	40.0												
DT37-18C	13.0	9.53	5.21	2.44	2.31	0.048	0.111						
DT37-26C	20.0												
DT37-40C	17.0												
DT37-52C	18.0	9.53	5.21	7.0	2.31	0.138	0.319						
DT37-26D	40.0												
DT38-2	7.4							9.53	4.45	4.83	2.18	0.114	0.248
DT38-8	20.0												
DT38-18	36.0												
DT38-26	49.0												
DT38-40	41.5												
DT38-52	49.0												
DT38-2B	8.5	9.53	4.45	5.60	2.18	0.132	0.287						
DT38-26B	56.0												
DT40-26	36.0	10.2	5.21	4.14	2.41	0.093	0.223						
DT40-52	36.0												
DT44-2	5.2	11.2	5.82	4.04	2.68	0.099	0.266						
DT44-8	18.0												

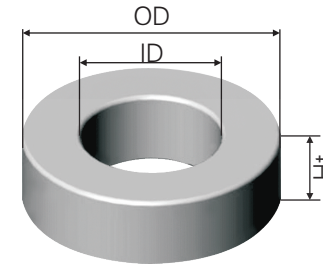
铁粉芯产品尺寸目录 · Iron Powder Core Product Size Catalog



DT 106 -26 A
 Letter Indicates Alternate Height
 DMEGC Material No.
 OD in 100th inches
 "T" For Toroid

Part No.	AL(nH/N ²)	OD(mm)	ID(mm)	Ht(mm)	le(cm)	Ae(cm ²)	Ve(cm ³)
DT44-18	25.5	11.2	5.82	4.04	2.68	0.099	0.266
DT44-26	37.0						
DT44-40	31.0						
DT44-52	35.0						
DT44-52B	43.0						
DT44-8C	28.0	11.2	5.82	6.35	2.68	0.157	0.434
DT44-18C	40.0						
DT44-52C	55.0						
DT44-52D	70.0	11.2	5.82	8.59	2.68	0.219	0.587
DT50-2	4.9						
DT50-8	17.5						
DT50-18	24.0						
DT50-26	33.0						
DT50-38	37.5						
DT50-40	29.5						
DT50-52	33.0						
DT50-8B	23.0						
DT50-18B	32.0						
DT50-26B	43.5	12.7	7.70	6.35	3.19	0.148	0.471
DT50-38B	49.5						
DT50-40B	38.5						
DT50-52B	43.5						
DT50-8C	28.3						
DT50-26C	61.0	12.7	7.70	8.51	3.19	0.200	0.637
DT50-52C	60.0						
DT50-18D	47.5						
DT50-26D	72.0	12.7	7.70	9.53	3.19	0.223	0.711

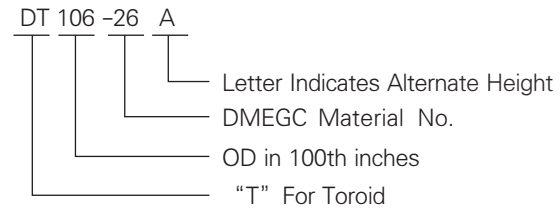
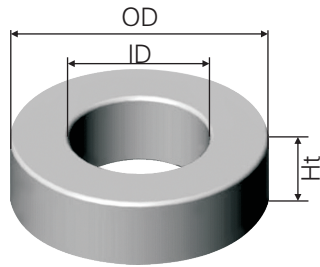
铁粉芯产品尺寸目录 · Iron Powder Core Product Size Catalog



DT 106 -26 A
 Letter Indicates Alternate Height
 DMEGC Material No.
 OD in 100th inches
 "T" For Toroid

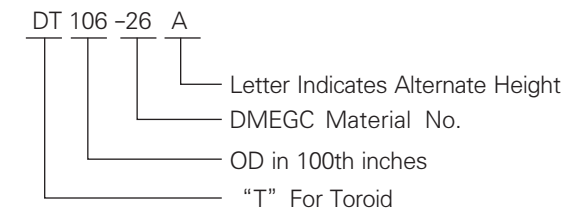
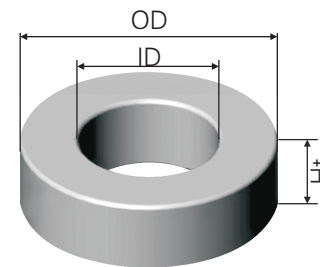
Part No.	AL(nH/N ²)	OD(mm)	ID(mm)	Ht(mm)	le(cm)	Ae(cm ²)	Ve(cm ³)						
DT50-40D	59.0	12.7	7.70	9.53	3.19	0.223	0.711						
DT50-52D	66.0												
DT50-26E	37.0	12.7	7.70	5.46	3.19	0.128	0.407						
DT51-2B	13.8												
DT51-8B	37.0	12.7	5.08	7.92	2.79	0.282	0.786						
DT51-18C	55.0												
DT51-26C	83.0												
DT51-40C	67.0												
DT51-52C	75.0												
DT57-52	49.5	14.6	6.93	4.98	3.38	0.178	0.601						
DT57-52A	66.0												
DT60-2	6.5	15.2	8.53	5.94	3.74	0.187	0.699						
DT60-8	19.0												
DT60-18	34.5												
DT60-26	50.0												
DT60-40	41.5												
DT60-52	47.0												
DT60-18B	47.0												
DT60-26B	61.0	15.2	8.53	7.25	3.74	0.228	0.853						
DT60-52B	64.0												
DT60-26D	97.0												
DT60-52D	94.0	15.2	8.53	11.9	3.74	0.374	1.40						
DT68-2	5.7												
DT68-8	19.5												
DT68-18	29.0												
DT68-26	43.5												
DT68-38	45.0							17.5	9.40	4.83	4.23	0.179	0.759
DT68-26	43.5												
DT68-38	45.0												

铁粉芯产品尺寸目录 • Iron Powder Core Product Size Catalog



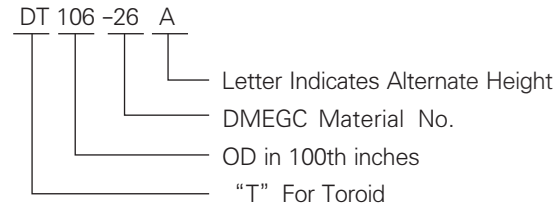
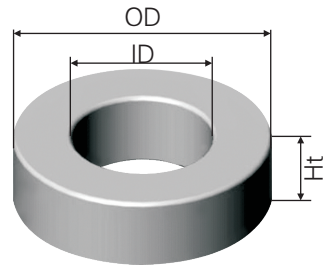
Part No.	AL(nH/N ²)	OD(mm)	ID(mm)	Ht(mm)	le(cm)	Ae(cm ²)	Ve(cm ³)						
DT68-40	35.0	17.5	9.40	4.83	4.23	0.179	0.759						
DT68-52	40.0												
DT68-2A	7.0	17.5	9.40	6.35	4.23	0.242	1.03						
DT68-8A	26.0												
DT68-18A	39.5												
DT68-26A	58.0												
DT68-38A	61.0												
DT68-40A	47.0												
DT68-52A	54.0												
DT68-26B	79.0												
DT68-52B	75.0	17.5	9.40	8.70	4.23	0.333	1.41						
DT68-26C	48.0												
DT68-2D	11.4	17.5	9.40	9.53	4.23	0.358	1.52						
DT68-8D	39.0												
DT68-26D	87.0												
DT68-40D	70.0												
DT68-52D	80.0												
DT72-2	12.8							18.3	7.11	6.6	4.01	0.349	1.40
DT72-8	36.0												
DT72-18	60.0												
DT72-26	90.0												
DT72-40	71.0												
DT72-52	82.0												
DT72-26B	112.0	18.3	7.11	8.20	4.01	0.434	1.74						
DT80-2	5.5												
DT80-8	18.0	20.2	12.6	6.35	5.14	0.231	1.19						
DT80-18	31.0												

铁粉芯产品尺寸目录 • Iron Powder Core Product Size Catalog



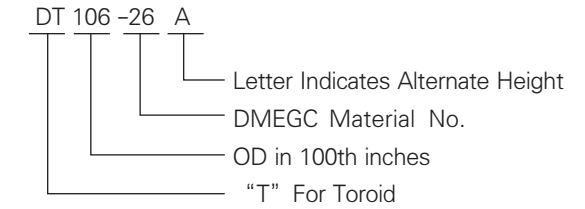
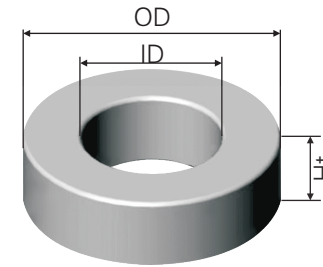
Part No.	AL(nH/N ²)	OD(mm)	ID(mm)	Ht(mm)	le(cm)	Ae(cm ²)	Ve(cm ³)
DT80-26	46.0	20.2	12.6	6.35	5.14	0.231	1.19
DT80-38	48.0						
DT80-40	39.5						
DT80-52	42.0						
DT80-7B	8.4						
DT80-8B	29.5	20.2	12.6	9.53	5.14	0.347	1.78
DT80-18B	46.5						
DT80-26B	71.0						
DT80-38B	72.0						
DT80-40B	59.0						
DT68-52B	63.0						
DT80-26D	92.0	20.2	12.6	12.7	5.14	0.453	2.33
DT80-40D	79.0						
DT80-52D	83.0						
DT90-8	30.0	22.9	14.0	9.53	5.78	0.395	2.28
DT90-18	47.0						
DT90-26	70.0						
DT90-38	73.0						
DT90-40	57.0						
DT90-52	64.0						
DT90-26A	33.0	22.9	14.0	4.50	5.78	0.190	1.10
DT90-26B	82	22.9	14.0	11.2	5.78	0.464	2.68
DT91-26	77.5	23.0	11.0	8.00	5.34	0.46	2.43
DT93-26	84.0	23.9	12.0	9.50	5.64	0.54	3.03
DT93-52A	56.0	23.9	12.0	6.00	5.636	0.339	1.91
DT94-2	8.4	23.9	14.2	7.92	5.97	0.362	2.16
DT94-8	25.0						

铁粉芯产品尺寸目录 · Iron Powder Core Product Size Catalog



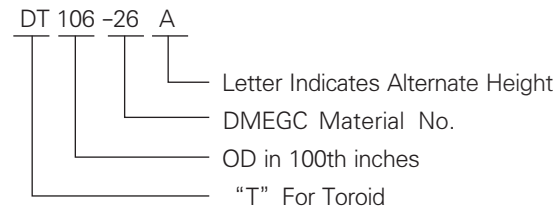
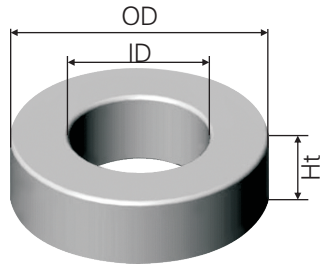
Part No.	AL(nH/N ²)	OD(mm)	ID(mm)	Ht(mm)	le(cm)	Ae(cm ²)	Ve(cm ³)						
DT94-18	42.0	23.9	14.2	7.92	5.97	0.362	2.16						
DT94-26	60.0												
DT94-38	65.0												
DT94-40	49.0												
DT94-52	57.0												
DT95-26B	84.0	23.9	12.6	9.53	5.72	0.510	2.91						
DT95-52B	84.0												
DT106-2	13.5	26.9	14.5	11.1	6.49	0.659	4.28						
DT106-8	45.0												
DT106-18	70.0												
DT106-26	93.0												
DT106-28	30.0												
DT106-30	30.0												
DT106-33	40.0												
DT106-34	40.0												
DT106-35	40.0												
DT106-38	108.0												
DT106-40	81.0												
DT106-52	95.0												
DT106-18A	49.0							26.9	14.5	7.92	6.49	0.461	3.00
DT106-26A	67.0												
DT106-40A	58.0												
DT106-52A	67.0	26.9	14.5	14.6	6.49	0.858	5.57						
DT106-18B	91.0												
DT106-26B	124.0												
DT106-40B	106.0												
DT106-52B	124.0												

铁粉芯产品尺寸目录 · Iron Powder Core Product Size Catalog



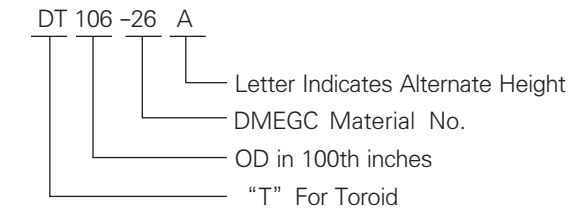
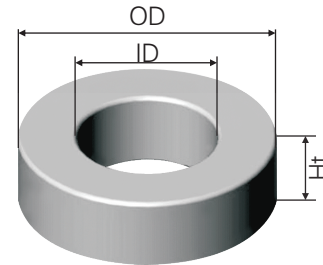
Part No.	AL(nH/N ²)	OD(mm)	ID(mm)	Ht(mm)	le(cm)	Ae(cm ²)	Ve(cm ³)
DT108-26	112.0	27.5	13.5	11.5	6.44	0.76	4.92
DT124-26	58.0	31.6	18.0	7.11	7.75	0.459	3.55
DT130-2	11.0	33.0	19.8	11.1	8.28	0.698	5.78
DT130-8	35.0						
DT130-18	58.0						
DT130-26	81.0						
DT130-28	25.0						
DT130-30	25.0						
DT130-33	33.5						
DT130-34	33.5						
DT130-35	33.5						
DT130-38	90.0						
DT130-40	69.0	33.0	19.8	5.72	8.28	0.361	2.99
DT130-52	79.0						
DT130-26A	41.0	33.0	16.3	11.1	7.72	0.885	6.84
DT130-40A	34.0						
DT131-8	52.5						
DT131-18	79.0						
DT131-26	116.0						
DT131-33	46.5						
DT131-34	46.5						
DT131-35	46.5						
DT131-40	93.0						
DT131-52	108.0						
DT131-52B	131	33.0	17.8	15.4	7.96	1.17	8.89
DT132-8	48.0	33.0	17.8	11.1	7.96	0.805	6.41
DT132-26	103.0						

铁粉芯产品尺寸目录 • Iron Powder Core Product Size Catalog



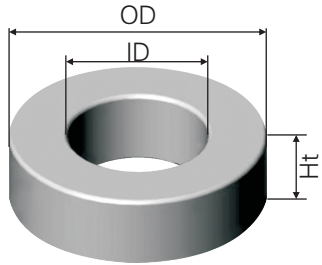
Part No.	AL(nH/N ²)	OD(mm)	ID(mm)	Ht(mm)	le(cm)	Ae(cm ²)	Ve(cm ³)
DT132-40	83.0	33.0	17.8	11.1	7.96	0.805	6.41
DT132-52	95.0			7.96	0.574	4.57	
DT132-26A	74.0	33.0	17.8	7.92	7.96	0.574	4.57
DT141-26	75.0	35.9	22.4	10.5	9.14	0.674	6.16
DT141-40	60.0						
DT141-52	69.0	38.4	21.5	11.1	9.38	0.887	8.31
DT150-8	41.0						
DT150-18	65.0	38.4	21.5	11.1	9.38	0.887	8.31
DT150-26	96.0						
DT150-40	78.0	38.4	21.5	8.26	9.38	0.657	6.16
DT150-52	89.0						
DT150-26A	66.0	38.4	21.5	8.26	9.38	0.657	6.16
DT150-38A	74.5						
DT157-2	14.0	39.9	24.1	14.5	10.1	1.06	10.7
DT157-8	42.0						
DT157-18	73.0						
DT157-26	100.0						
DT157-28	31.2						
DT157-30	31.5						
DT157-33	43.5						
DT157-34	43.5						
DT157-35	43.5						
DT157-38	112.0						
DT157-40	86.0						
DT157-52	99.0						
DT175-2	15.0	44.5	27.2	16.5	11.2	1.34	15.0
DT175-8	48.0						

铁粉芯产品尺寸目录 • Iron Powder Core Product Size Catalog



Part No.	AL(nH/N ²)	OD(mm)	ID(mm)	Ht (mm)	le(cm)	Ae(cm ²)	Ve(cm ³)
DT175-18	82.0	44.5	27.2	16.5	11.2	1.34	15.0
DT175-26	105.0						
DT175-40	90.0						
DT175-52	105.0						
DT184-2	24.0	46.7	24.1	18.0	11.2	1.88	21.0
DT184-8	72.0						
DT184-18	116.0						
DT184-26	169.0						
DT184-28	51.0						
DT184-30	51.0						
DT184-33	70.0						
DT184-34	70.0						
DT184-35	70.0						
DT184-40	143.0	50.8	31.8	14.0	13.0	1.27	16.4
DT184-52	159.0						
DT200-2	12.0						
DT200-8	42.5						
DT200-18	67.0						
DT200-26	92.0						
DT200-33	37.0						
DT200-34	37.0						
DT200-35	37.0						
DT200-40	49.0						
DT200-52	92.0						
DT200-2B	21.8						
DT200-8B	78.5						
DT200-18B	120.0						

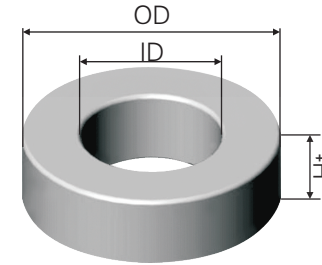
铁粉芯产品尺寸目录 • Iron Powder Core Product Size Catalog



DT 106 -26 A
 Letter Indicates Alternate Height
 DMEGC Material No.
 OD in 100th inches
 "T" For Toroid

Part No.	AL(nH/N ²)	OD(mm)	ID(mm)	Ht (mm)	le(cm)	Ae(cm ²)	Ve(cm ³)						
DT200-26B	160.0	50.8	31.8	25.4	13.0	2.32	30.0						
DT200-28B	51.0												
DT200-30B	51.0												
DT200-33B	70.0												
DT200-34B	70.0												
DT200-35B	70.0												
DT200-40B	142.0												
DT200-52B	155.0												
DT201-8	104.0	50.8	24.1	22.2	11.8	2.81	33.2						
DT201-18	164.0												
DT201-26	224.0												
DT201-40	194.0												
DT201-52	224.0												
DT224-26	155	57.2	31.8	19.1	14.0	2.31	32.2						
DT224-52	155												
DT225-2	12.0	57.2	35.7	14.0	14.6	1.42	20.7						
DT225-8	42.5												
DT225-18	67.0												
DT225-26	98.0												
DT225-28	28.0												
DT225-30	28.0												
DT225-33	37.0												
DT225-34	37.0												
DT225-35	37.0												
DT225-40	78.0												
DT225-52	92.0												
DT225-2B	21.5							57.2	35.7	25.4	14.6	2.59	37.8

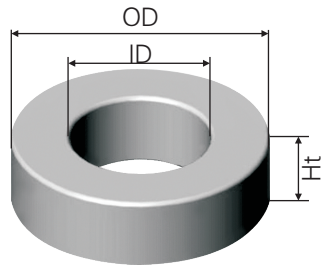
铁粉芯产品尺寸目录 • Iron Powder Core Product Size Catalog



DT 106 -26 A
 Letter Indicates Alternate Height
 DMEGC Material No.
 OD in 100th inches
 "T" For Toroid

Part No.	AL(nH/N ²)	OD(mm)	ID(mm)	Ht (mm)	le(cm)	Ae(cm ²)	Ve(cm ³)
DT225-14B	28.0	57.2	35.7	25.4	14.6	2.59	37.8
DT225-26B	160.0						
DT225-33B	67.0						
DT225-34B	67.0						
DT225-35B	67.0						
DT225-52B	155.0						
DT225-26C	120.0						
DT225-33C	49.0	57.2	35.7	18.5	14.58	1.89	27.56
DT225-34C	49.0						
DT225-35C	49.0						
DT225-52C	112.0	63.5	35.7	25.4	15.6	3.36	52.3
DT249-26	203.0						
DT249-33	89.0						
DT249-34	89.0						
DT249-35	89.0						
DT249-52	203.0	63.5	31.8	25.4	15.0	3.84	57.4
DT250-8	113.0						
DT250-14	43.0						
DT250-18	177.0						
DT250-26	242.0						
DT250-28	71.0						
DT250-30	71.0						
DT250-33	106.0						
DT250-34	106.0						
DT250-35	106.0						
DT250-40	194.0						
DT250-52	242.0						

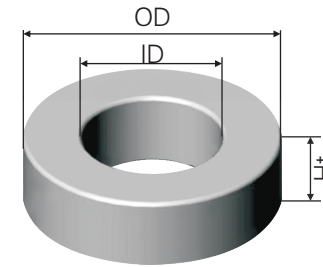
铁粉芯产品尺寸目录 · Iron Powder Core Product Size Catalog



DT 106 -26 A
 Letter Indicates Alternate Height
 DMEGC Material No.
 OD in 100th inches
 "T" For Toroid

Part No.	AL(nH/N ²)	OD(mm)	ID(mm)	Ht (mm)	le(cm)	Ae(cm ²)	Ve(cm ³)
DT250-33A	53.0	63.5	31.8	12.7	15.0	1.92	28.7
DT250-34A	53.0						
DT250-35A	53.0						
DT250-33B	159.0	63.5	31.8	38.1	15.0	5.74	86.09
DT250-34B	159.0						
DT250-35B	159.0						
DT252-52	210	64.0	40.0	32.0	16.3	3.65	59.56
DT300-2	11.4	77.2	49.0	12.7	19.8	1.68	33.4
DT300-8	37.0						
DT300-18	58.0						
DT300-26	80.0						
DT300-28	23.0						
DT300-30	23.0						
DT300-33	34.5						
DT300-34	34.5						
DT300-35	34.5						
DT300-40	71.0						
DT300-52	80.0						
DT300-2D	22.8						
DT300-18D	116.0						
DT300-26D	160.0						
DT300-28D	46.0						
DT300-30D	46.0						
DT300-33D	69.0						
DT300-34D	69.0						
DT300-35D	69.0						
DT300-40D	142.0						

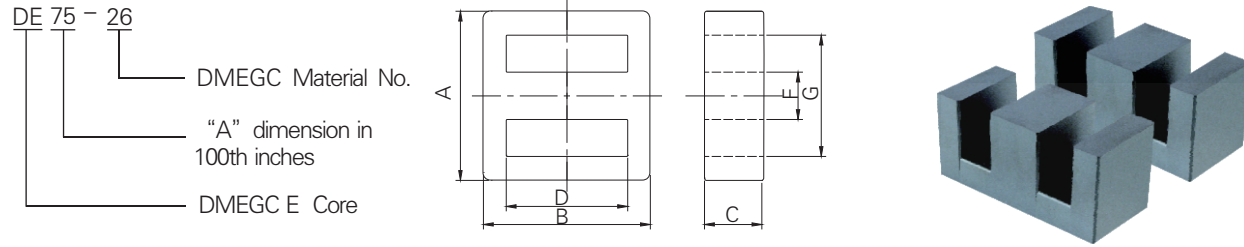
铁粉芯产品尺寸目录 · Iron Powder Core Product Size Catalog



DT 106 -26 A
 Letter Indicates Alternate Height
 DMEGC Material No.
 OD in 100th inches
 "T" For Toroid

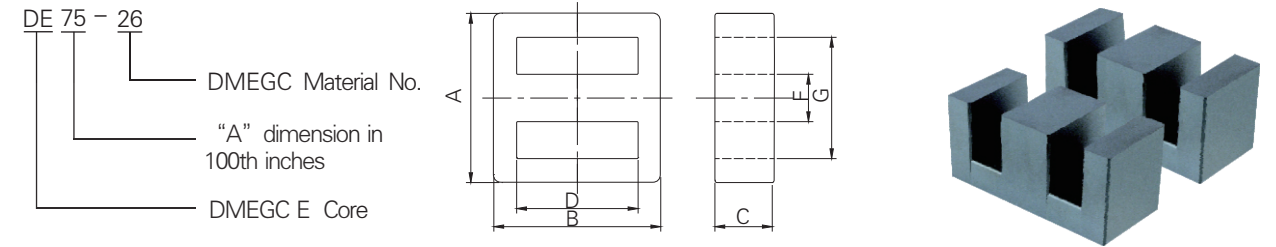
Part No.	AL(nH/N ²)	OD(mm)	ID(mm)	Ht (mm)	le(cm)	Ae(cm ²)	Ve(cm ³)
DT300-52D	160.0	77.2	49.0	25.4	19.8	3.38	67.0
DT400-2	18.0	102	57.2	16.5	25.0	3.46	86.4
DT400-8	60.0						
DT400-18	96.0						
DT400-26	131.0						
DT400-28	40.5						
DT400-30	40.5						
DT400-33	55.0						
DT400-34	55.0						
DT400-35	55.0						
DT400-40	115.0						
DT400-52	131.0						
DT400-26B	205.0	102	57.2	25.4	25.0	5.35	133
DT400-2D	36.0	102	57.2	33.0	25.0	6.85	171
DT400-26D	262.0						
DT400-28D	81.0						
DT400-30D	81.0						
DT400-33D	110.0						
DT400-34D	110.0						
DT400-35D	110.0						
DT400-40D	230.0						
DT520-2	20.0	132	78.2	20.3	33.1	10.5	347
DT520-8	65.0						
DT650-2	58.0	165	88.9	50.8	39.9	18.4	734
DT650-8	200.0						

铁粉芯产品尺寸目录 • Iron Powder Core Product Size Catalog



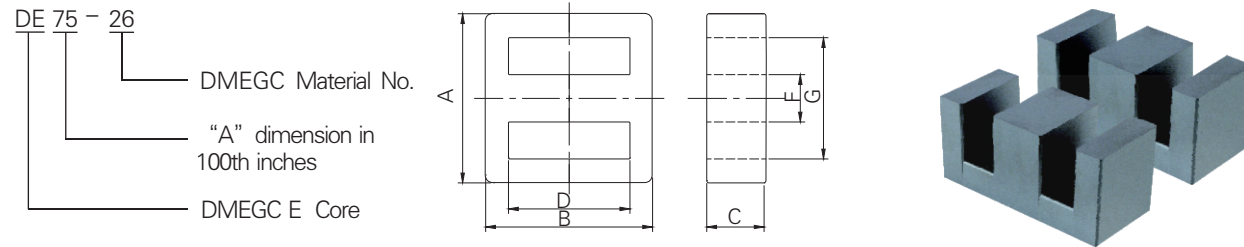
Part No.	AL(nH/N ²)	A(mm)	B(mm)	C(mm)	D(mm)	F(mm)	G(mm)	le(cm)	Ae(cm ²)	Ve(cm ³)									
DE49-8	20.5	12.7	11.1	3.18	7.92	3.18	9.53	2.86	0.101	0.288									
DE49-18	29.0																		
DE49-26	38.0																		
DE49-52	38.0																		
DE50-26	48.0	12.8	12.8	3.8	9.0	3.8	9.0	3.08	0.143	0.441									
DE50-52	47.0																		
DE65-8	30.5	16.4	16.3	4.62	12.0	4.62	11.3	3.98	0.224	0.8161									
DE65-26	58.0																		
DE65-40	51.0																		
DE65-52	56.0																		
DE74-40	55.0	19.1	16.5	4.75	12	4.75	14.3	4.28	0.226	0.953									
DE75-2	14.5																		
DE75-8	33.5																		
DE75-26	64.0																		
DE75-40	55.0	19.1	16.1	4.75	11.6	4.75	14.3	4.20	0.226	0.936									
DE75-52	59.0																		
DE80-8	38.0										20.2	19.9	5.84	14.0	5.84	14.6	4.84	0.333	1.63
DE80-26	73.0																		
DE80-52	73.0																		
DE99-8	51.0	25.4	25.4	7.29	17.5	7.29	17.7	6.08	0.548	3.38									
DE99-26	96.0																		
DE99-52	96.0																		
DE100-2	21.0	25.4	19.1	6.35	12.7	6.35	19.1	5.08	0.403	2.05									
DE100-8	48.0																		
DE100-18	65.0																		
DE100-26	92.0																		
DE100-40	81.0																		

铁粉芯产品尺寸目录 • Iron Powder Core Product Size Catalog



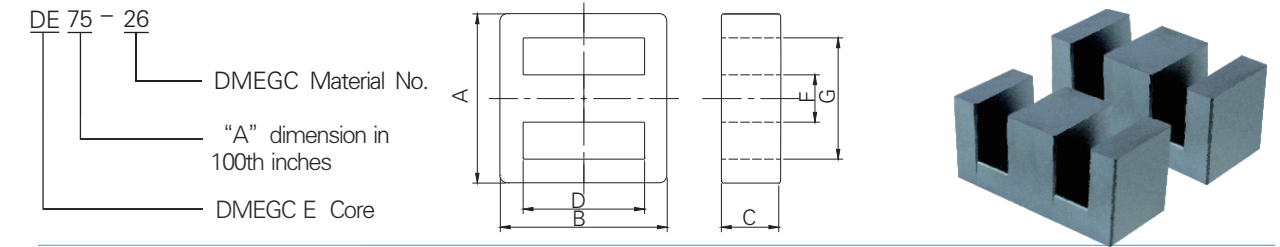
Part No.	AL(nH/N ²)	A(mm)	B(mm)	C(mm)	D(mm)	F(mm)	G(mm)	le(cm)	Ae(cm ²)	Ve(cm ³)
DE100-52	85.0	25.4	19.1	6.35	12.7	6.35	19.1	5.08	0.403	2.05
DE101-2	53.0	25.9	19.1	14.1	8.89	6.35	19.4	3.93	0.895	2.36
DE101-8	185.0									
DE118-26	90.0	30.1	30.1	7.06	19.9	7.06	19.9	7.14	0.498	4.60
DE118-40	80.0									
DE118-52	90.0									
DE125-26	134.0	31.8	30.5	9.6	21.2	9.6	22.5	7.45	0.922	6.82
DE125-40	113.0									
DE137-2	32.0	34.9	29.1	9.53	19.6	9.53	25.4	7.40	0.907	6.72
DE137-8	67.0									
DE137-18	100.0									
DE137-26	134.0									
DE137-40	113.0									
DE137-52	131.0									
DE145-18	112.0	37.0	34.8	10.8	24.1	10.8	26.3	8.50	1.17	9.89
DE145-26	146.0									
DE145-52	146.0									
DE162-8	105.0	41.3	34.1	12.7	21.4	12.7	28.6	8.41	1.61	13.6
DE162-18	149.0									
DE162-26	210.0									
DE162-40	175.0	41.3	34.1	12.7	21.4	12.7	28.6	8.41	1.61	13.6
DE162-52	199.0									
DE168-2	43.5									
DE168-8	97.0									
DE168-18	135.0									
DE168-26	195.0									
DE168-40	163.0									

铁粉芯产品尺寸目录 · Iron Powder Core Product Size Catalog



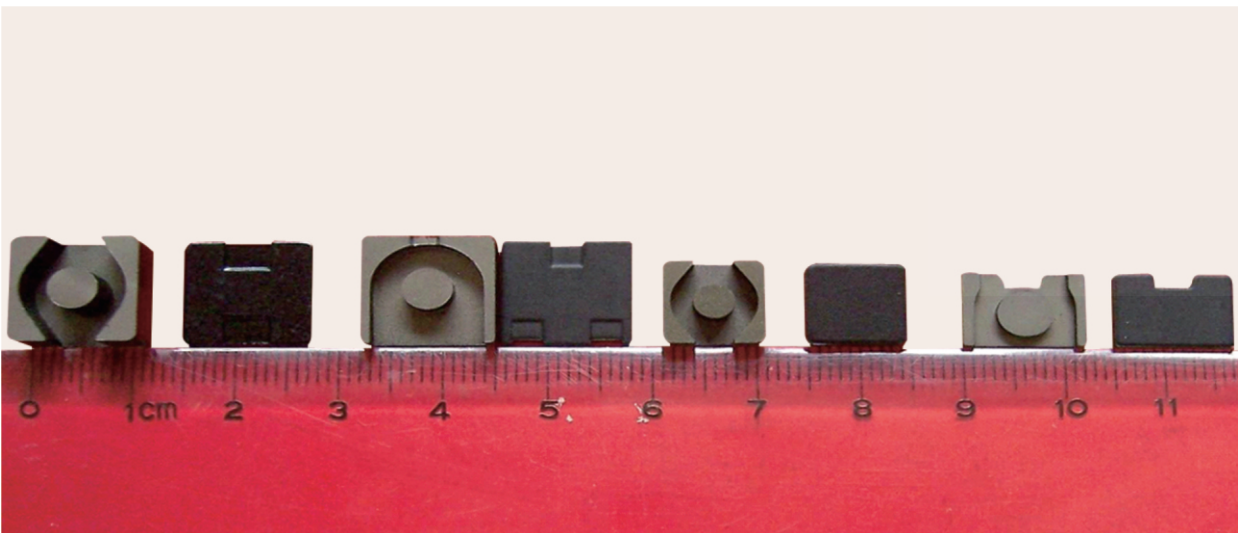
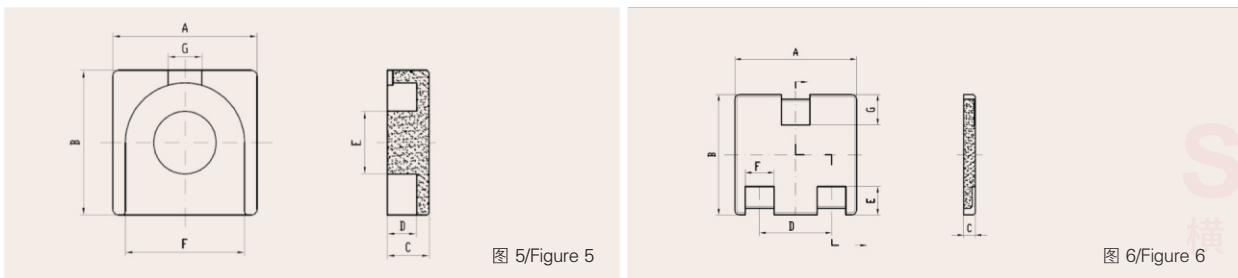
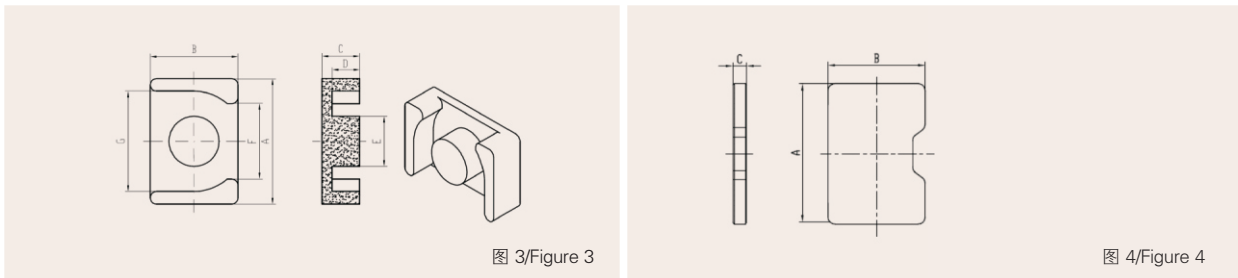
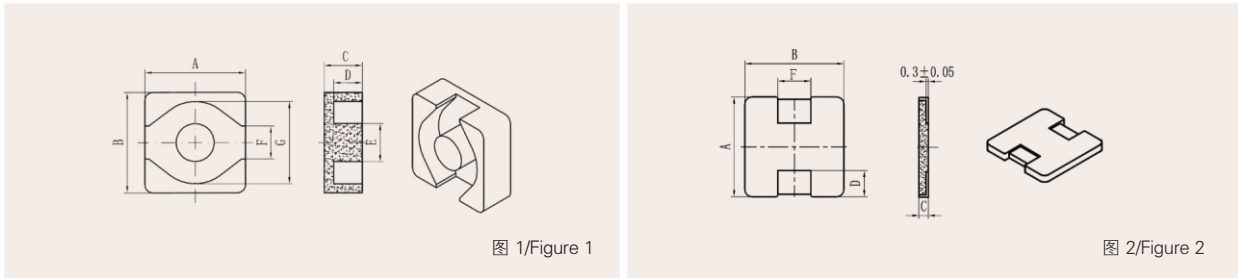
Part No.	AL(nH/N ²)	A(mm)	B(mm)	C(mm)	D(mm)	F(mm)	G(mm)	le(cm)	Ae(cm ²)	Ve(cm ³)
DE168-52	179.0	42.8	42.2	15.0	30.7	12.0	30.7	10.4	1.81	18.5
DE168-2A	55.0	42.8	42.2	20.0	30.7	12.0	30.7	10.4	2.41	24.6
DE168-8A	116.0									
DE168-18A	170.0									
DE168-26A	232.0									
DE168-40A	196.0									
DE168-52A	230.0									
DE187-8	144.0	47.4	39.4	15.7	24.1	15.7	31.8	9.5	2.48	23.3
DE187-18	213.0									
DE187-26	265.0									
DE187-40	240.0									
DE187-52	265.0									
DE220-2	69.0	56.1	55.4	20.8	38.3	17.3	38.6	13.2	3.60	47.7
DE220-8	143.0									
DE220-18	196.0									
DE220-26	275.0									
DE220-30	107.0									
DE220-34	136.0									
DE220-40	240.0									
DE220-52	262.0									
DE225-2	76.0	56.9	47.6	18.9	29.0	18.9	38.1	11.5	3.58	40.8
DE225-8	173.0									
DE225-18	240.0									
DE225-26	325.0									
DE225-40	290.0									
DE225-52	325.0									
DE305-2	75.0	77.5	77.5	23.7	53.8	23.7	53.8	18.5	5.62	104

铁粉芯产品尺寸目录 · Iron Powder Core Product Size Catalog



Part No.	AL(nH/N ²)	A(mm)	B(mm)	C(mm)	D(mm)	F(mm)	G(mm)	le(cm)	Ae(cm ²)	Ve(cm ³)
DE305-8	156.0	77.5	77.5	23.7	53.8	23.7	53.8	18.5	5.62	104
DE305-18	222.0									
DE305-26	287.0									
DE305-30	124.0									
DE305-34	150.0									
DE305-40	255.0									
DE305-52	287.0									
DE305-2A	132.0	77.5	77.5	31.6	53.8	23.7	53.8	18.5	7.49	139
DE305-8A	208.0									
DE305-18A	280.0									
DE305-26A	382.0									
DE305-30A	165.0									
DE305-40A	339.0									
DE305-52A	382.0									
DE450-2	132.0	114	92.4	34.9	57.2	34.9	79.3	22.9	12.2	280
DE450-8	260.0									
DE450-18	400.0									
DE450-26	540.0									
DE450-30	235.0									
DE450-34	300.0									
DE450-40	480.0									
DE450-52	500.0									
DE450-8H	140.0	114	92.4	17.5	57.2	34.9	79.3	22.9	6.10	140
DE450-18H	200.0									
DE450-52H	270.0									

SMD磁心形状 · SMD Core Shapes



SMD磁心尺寸 · SMD Core Size

Part No.	PIC	A(mm)	B(mm)	C(mm)	D(mm)	E(mm)	F(mm)	G(mm)	ALi(nH/N ²)
DQ6.8 SERIES	1	6.8	6.8	1.8~3.0	1.0~1.2	2.45	3.2	5.3	30~60
	2	6.8	6.8	0.9	1.6		3.2		
DQ10.0 SERIES	1	10.0	10.0	2.0~5.5	0.8~4.5	3.8/4.0/4.2	4.0/4.2	8.2	40~80
	2	10.0	10.0	1.0~1.2	2.5		3.5~4.5		
DQC10 SERIES	3	10.0	7.0	2.0~3.5	0.9~2.7	4.2	6.0	8.0	40~80
	4	10.0	7.0	0.8~1.2					
DQ12.7 SERIES	1	12.7	12.7	2.5~7.5	1.0~1.5	4.8/5.2/5.5	4.2/4.8	10.4/10.8	40~80
	2	12.7	12.7	1.0~1.5	3.3		4.2		
DOY12.7 SERIES	5	12.7	12.7	3.0~5.0	1.5~4.0	5.5	10.5	3.0	40~80
	6	12.7	12.7	1.0~1.5	7.5	3.0	3.0	3.2	

备注

产品的总高与壁高都可以在较大范围内调整;

DQ6.8系列外形尺寸的典型公差为 $\pm 0.15\text{mm}$; DQ10及DQC10系列外形尺寸的典型公差为 $\pm 0.20\text{mm}$; DQ12.7及DQY12.7系列外形尺寸的典型公差为 $\pm 0.25\text{mm}$, 具体参见产品图纸;

电感的公差一般为 $\pm 15\%$;

详情请与 sample@dmegc.com.cn 进行联系。

Notes

The height and the wall thickness can be adjusted in a certain range;

The typical outer dimension tolerance of DQ6.8 series is $\pm 0.15\text{mm}$;The typical outer dimension tolerance of DQ10 and DQC10 series is $\pm 0.20\text{mm}$;The typical outer dimension tolerance of DQ12.7 and DQ12.7Y series is $\pm 0.25\text{mm}$, please refer to the specific drawing for the details;

General inductance tolerance is $\pm 15\%$;

Please feel free to contact sample@dmegc.com.cn if you have any question.



DMEGC Worldwide Sales Network: 东磁软磁全球销售网络

U.S.A Office 美国办事处

14568 Rutledge SQ San Diego CA 92128
TEL:858-673-3729
FAX:858-673-5405
E-mail:sarasu@sbcglobal.net

European Office 欧洲分公司

Fericor d.o.o.Vinje 45c 1262 Dol pri Ljubljani Slovenia
TEL:+386-15-647-805
MOBILE: +386-70-727-727
E-mail:igor@dmegc.com.cn igor.zgajnar@fericor.com
Website: www.fericor.com

Japan Office 日本分公司

东京都港区浜松町2丁目4番1号世界贸易中心大楼23F
23F World Trade Center 2-4-1,Hamamatsucho,Minato-Ku,
Tokyo 105-6123,JAPAN.
TEL:03-5425-3585
FAX:03-5425-3586
E-mail:chinadmegc@feel.ocn.ne.jp

Taiwan Office 台湾办事处

TEL:+886(0)986 250926
E-mail:Jackie@dmegc.com.cn

DMEGC Germany GmbH 东磁德国分公司

Wilhelmsplatz 12 , 63065 Offenbach am Main Germany
TeL: 0049-69 800881-92
Mail: info@dmegc.de
Web: www.dmegc.de